



INDUSTRIAL ADDITIVE TECHNOLOGY

- DEVELOPMENT
- IMPLEMENTATION
- MANUFACTURING



MISSION

CREATION OF THE HI-TECH DIGITAL ADDITIVE MANUFACTURING ON THE BASIS OF MODULAR PRODUCTION-TECHNOLOGICAL COMPLEXES.

OBJECTIVES

- REDUCTION OF TERMS OF PRODUCTION PREPARATION OF SINGLE EXEMPLARS, SMALL SERIES OF PARTS FOR RESEARCH AND TECHNICAL DEVELOPMENT
- REDUCTION OF TERMS OF BATCH PRODUCTION PREPARATION
- DECREASING OF LABOR CONSUMPTION OF BATCH PRODUCTION
- MANUFACTURING OF COMPETITIVE PRODUCTS
- REDUCTION OF THE NUMBER OF TECHNOLOGICAL PROCESSES
- FLEXIBLE RECONFIGURATION OF PRODUCTION CAPACITIES FOR THE DEVELOPMENT OF NEW PRODUCTS WITHOUT TECHNOLOGICAL READJUSTMENT OF MANUFACTURING AT ANY STAGE OF DEVELOPMENT AND MASS PRODUCTION



APPLICATION AREA OF DIGITAL ADDITIVE MANUFACTURING





THE VISION OF ADDITIVE MANUFACTURING

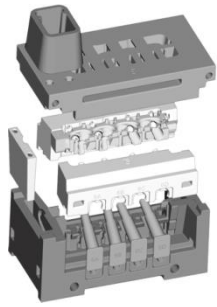
- ADDITIVE THINKING
- ADDITIVE DEVELOPMENT
- ADDITIVE MATERIALS
- ADDITIVE EQUIPMENT
- ADDITIVE TRAINING





THE VISION OF ADDITIVE MANUFACTURING «DIRECT DIGITAL MANUFACTURING»

DIGITAL DATA



CAD/CAM/CAE

EQUIPMENT OF ADDITIVE MANUFACTURING

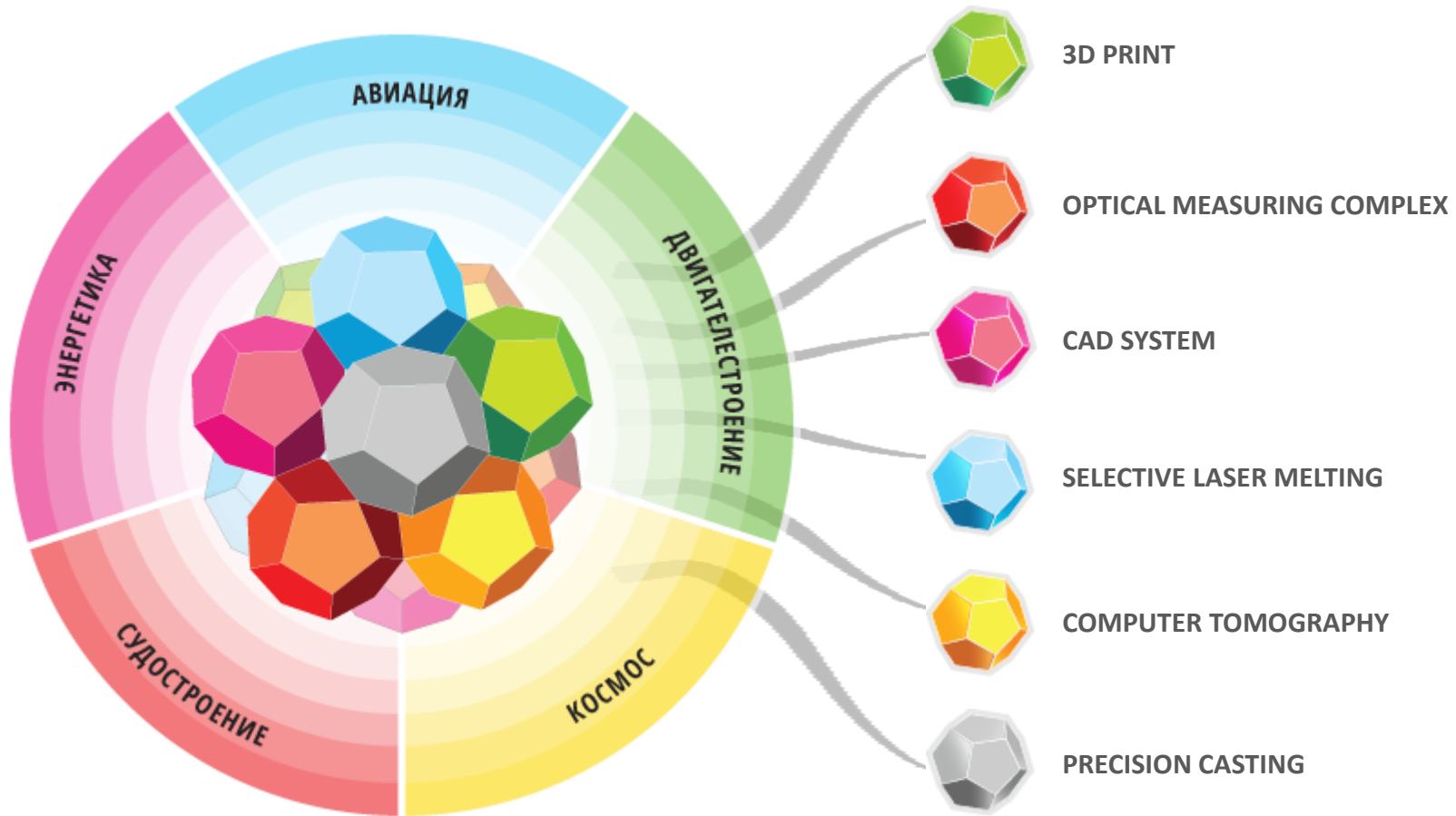


PRODUCTS



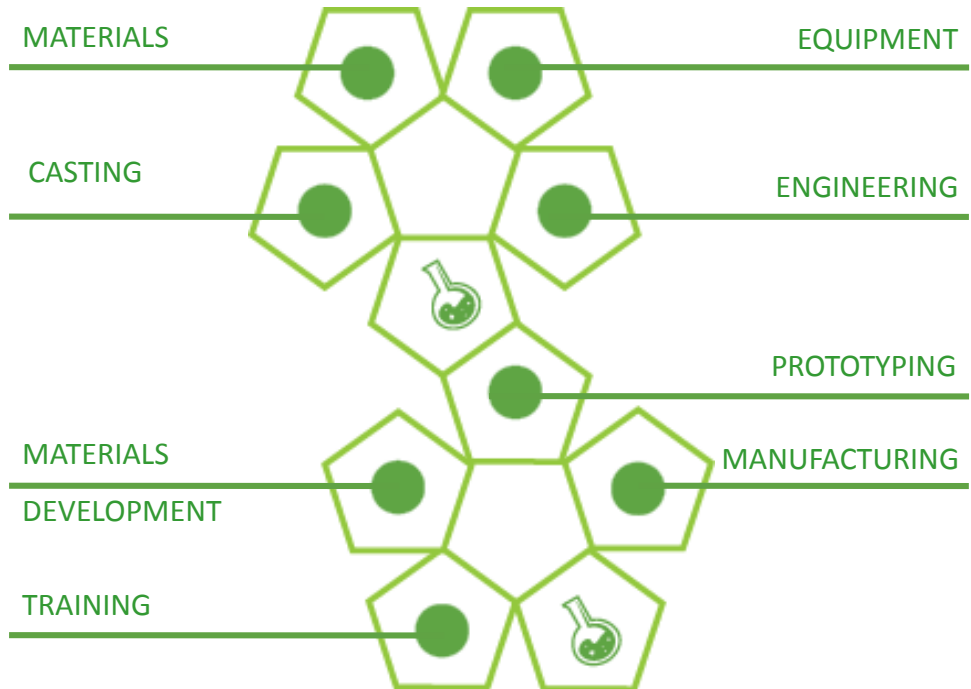


DIGITAL ADDITIVE TECHNOLOGY



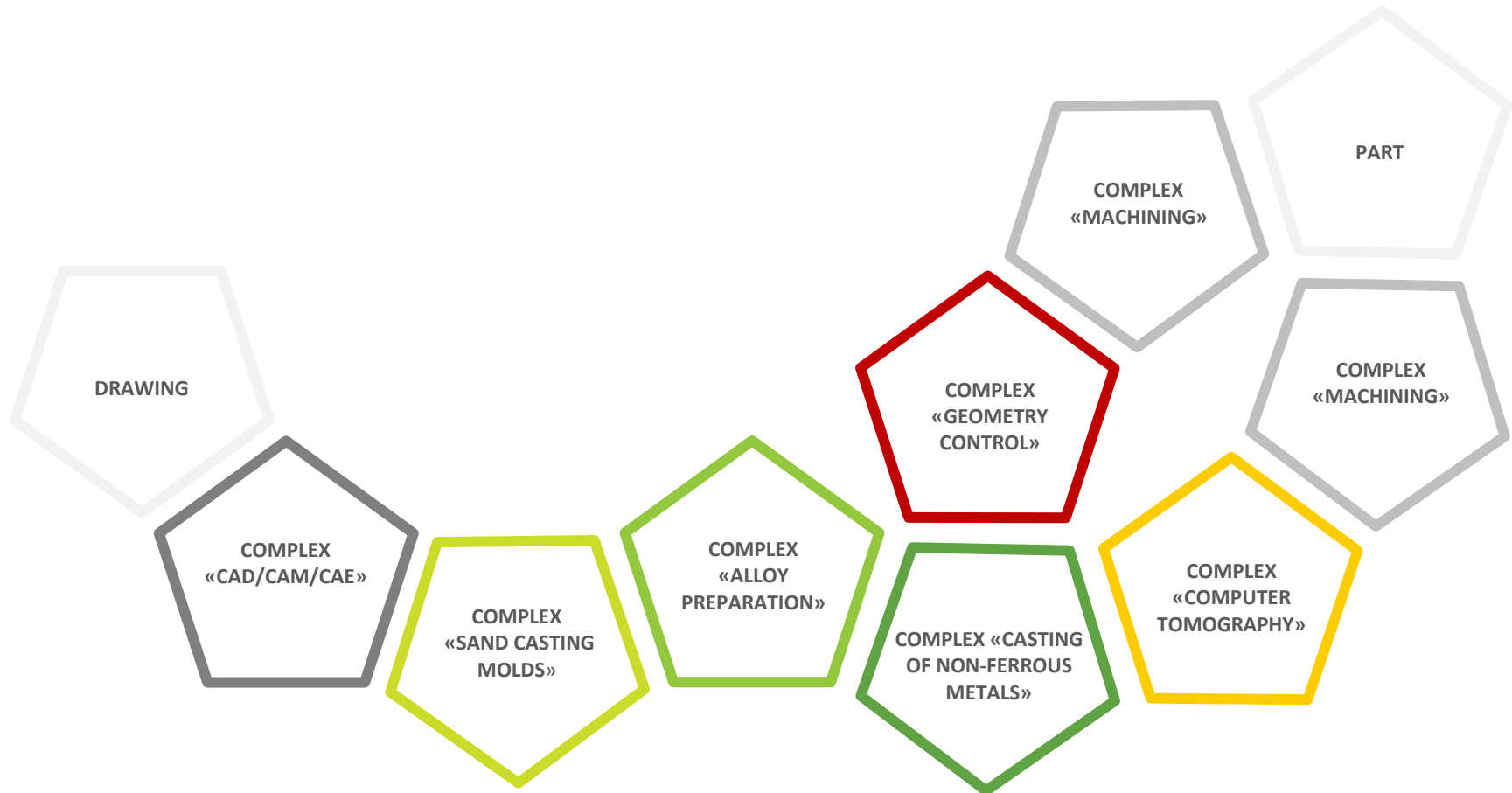


3D ПЕЧАТЬ



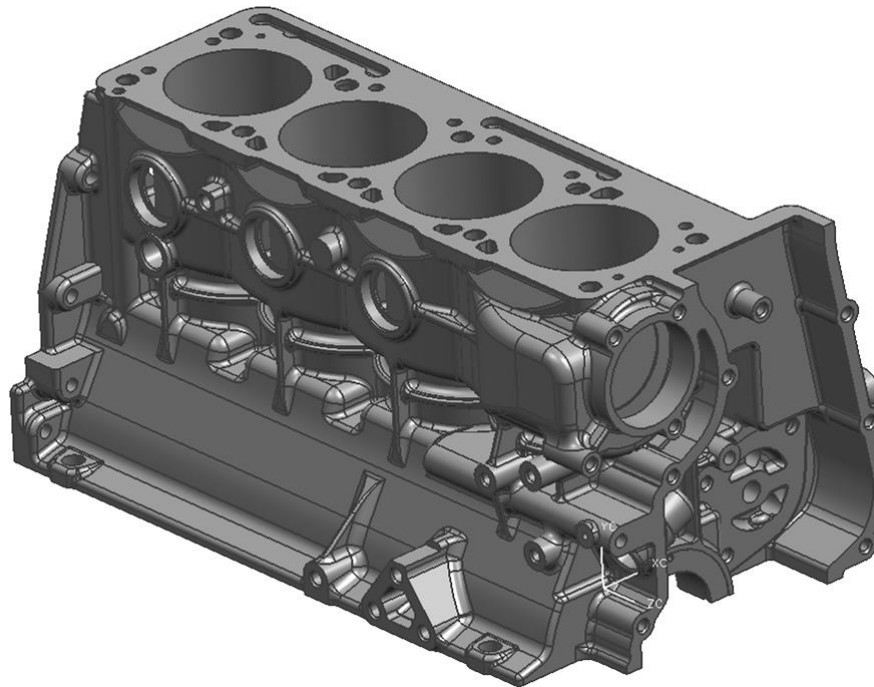


MODULAR CASTING PRODUCTION



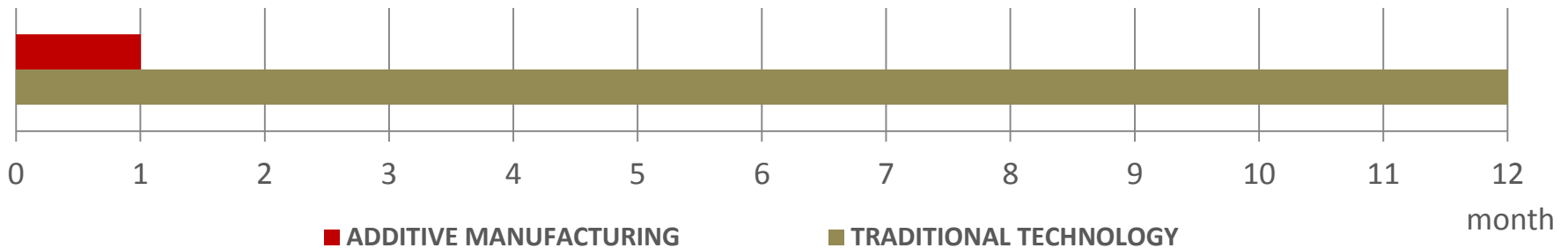


REDUCTION OF TERMS OF PRODUCTION PREPARATION



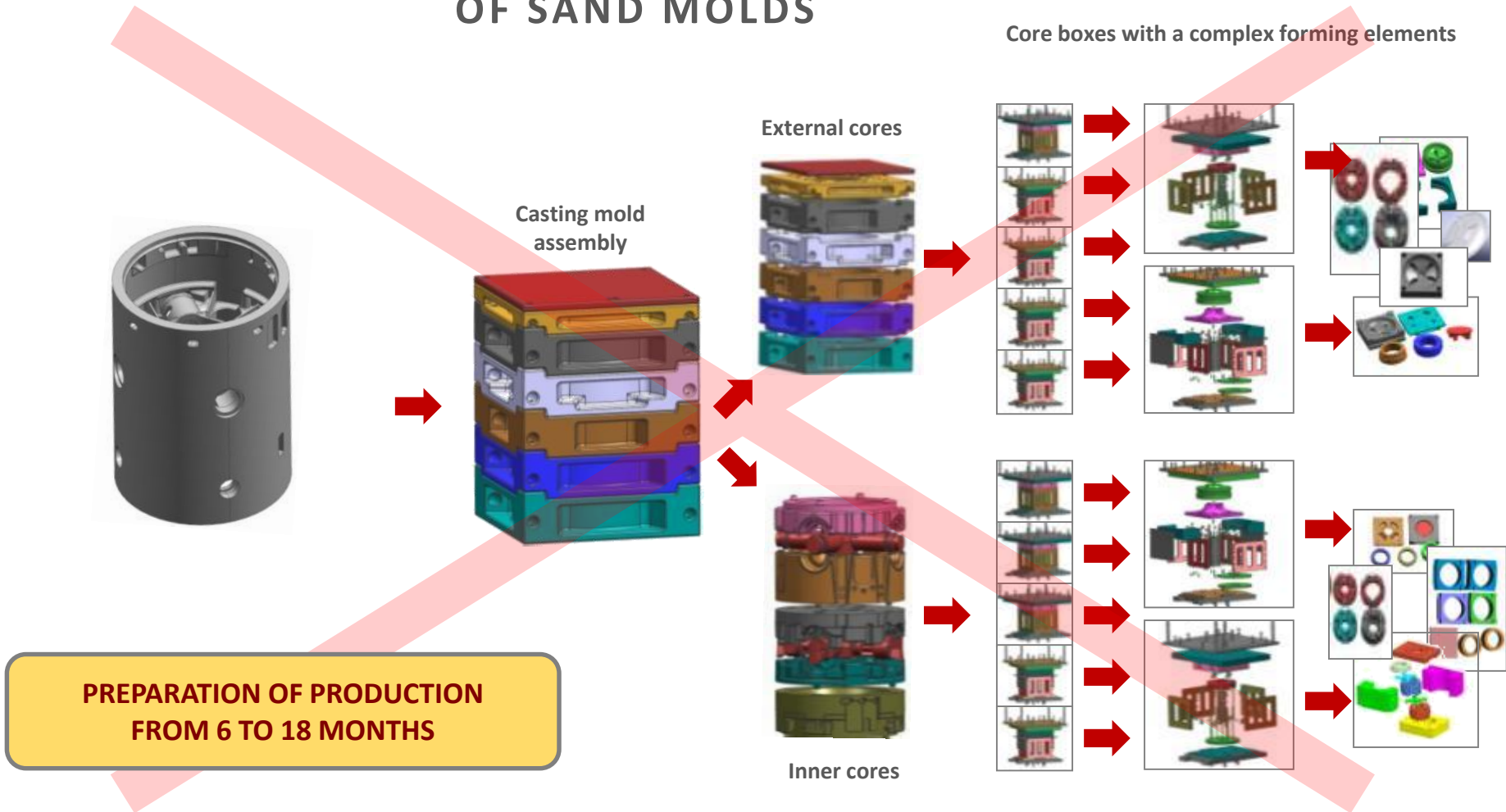
ADDITIVE MANUFACTURING
TECHNOLOGY OF SAND CASTING
MOLDS

DOSED CASTING UNDER LOW
PRESSURE





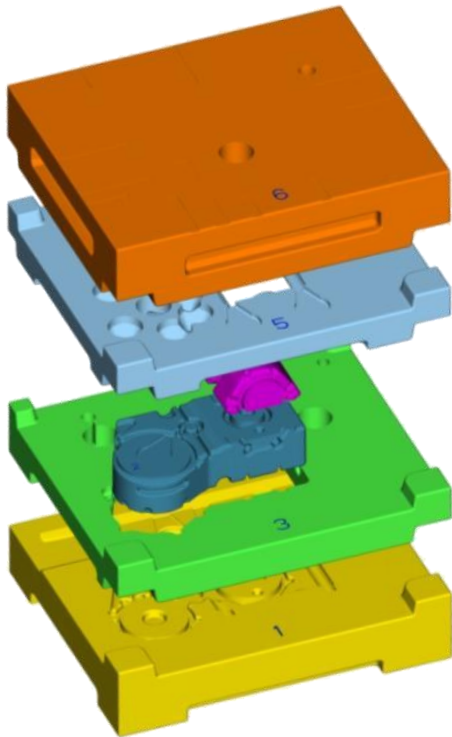
TRADITIONAL MANUFACTURING PROCESS OF SAND MOLDS





DEVELOPING OF CASTING MOLDS

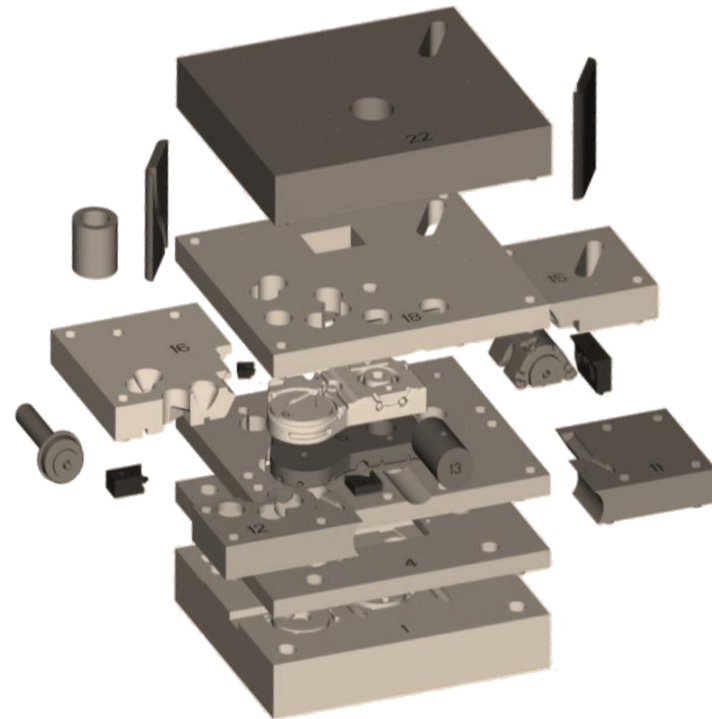
Digital technology



Sand-polymeric mold
Mold dimensions – 600 x 500 x 380 mm.

Mold structure – 6 cores

Traditional technology



Sand-polymeric mold
Mold dimensions – 600 x 500 x 380 mm.

Mold structure – 23 cores



DIGITAL ADDITIVE TECHNOLOGY



EQUIPMENT FOR 3D-PRINTING

- POLYMER POWDER MATERIALS
- METAL POWDERS
- QUARTZ SAND
- CERAMIC POWDER MATERIALS



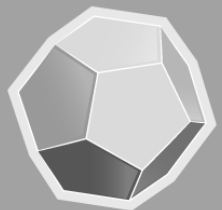
EQUIPMENT FOR SELECTIVE LASER MELTING

- POLYMER POWDER MATERIALS
- METAL POWDERS



ULTRASONIC TECHNOLOGY

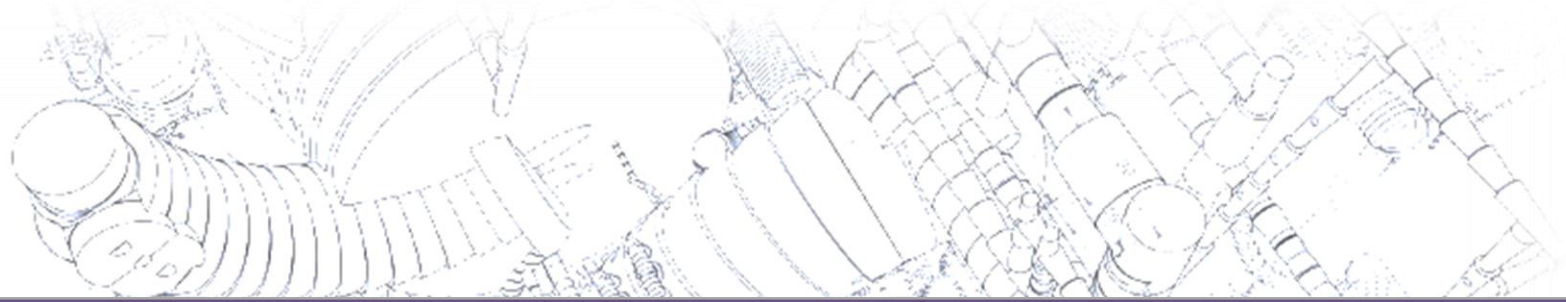
- CASTING TECHNOLOGY
- INTENSIFICATION OF PROCESSES
- CONTROL



EQUIPMENT FOR PRECISION CASTING

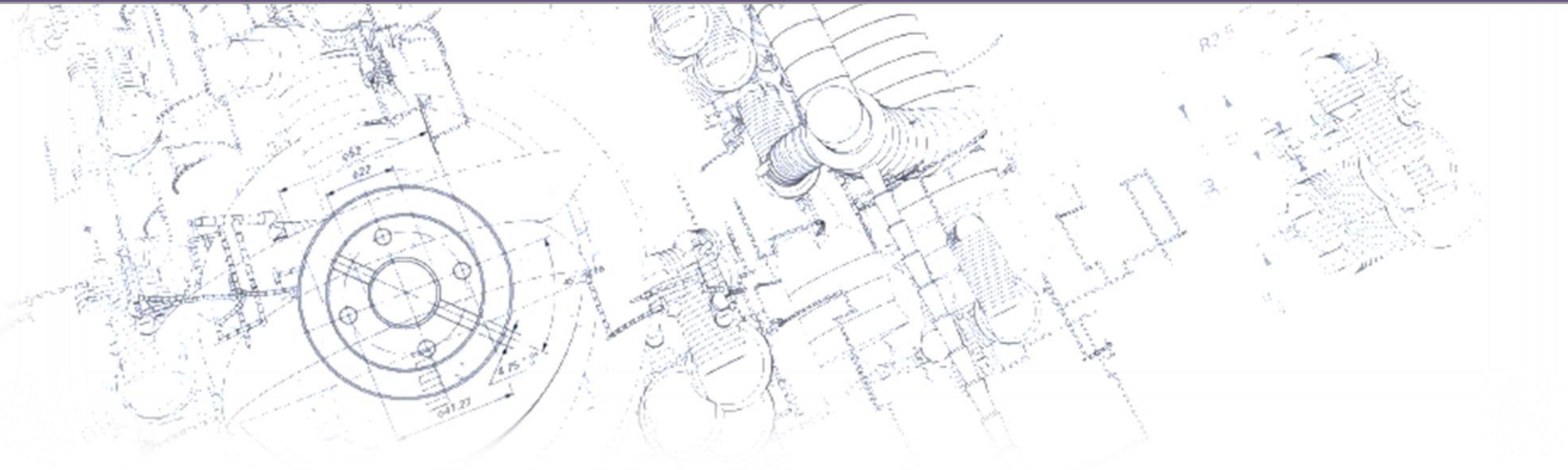
- NON-FERROUS METALS
- FERROUS METALS





«CAD/CAM/CAE»

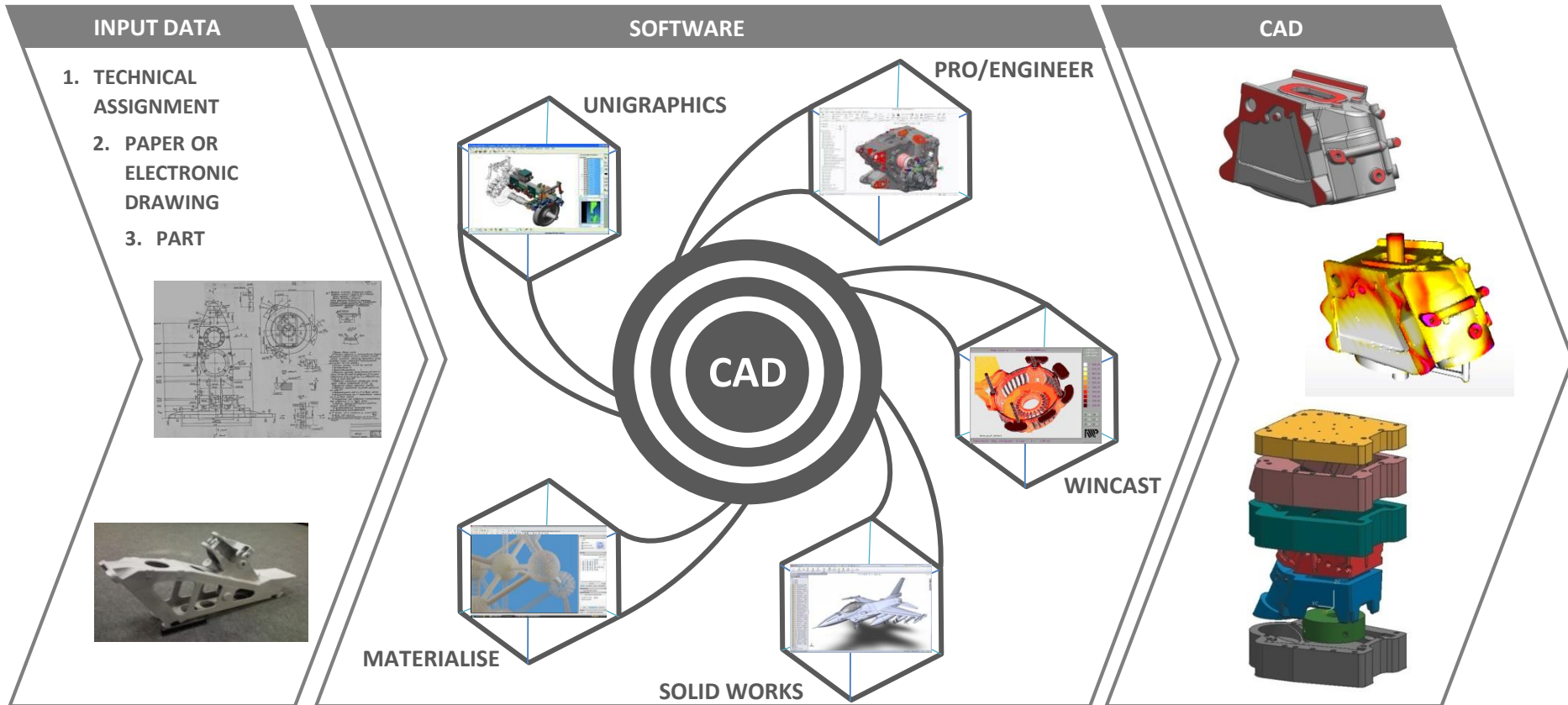
- ADDITIVE ENGINEERING
- PROTOTYPING
- MODELLING





COMPLEX «CAD/CAM/CAE»

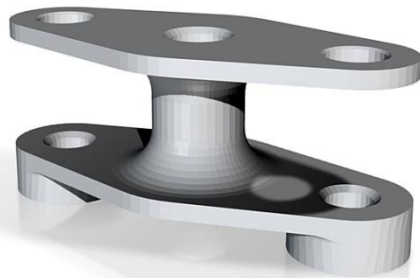
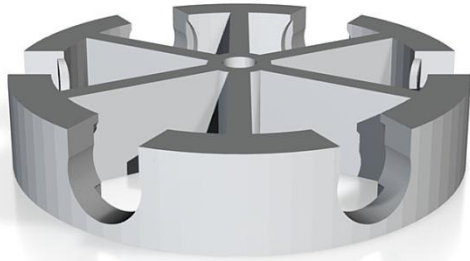
ENGINEERING DEPARTMENT ON THE DESIGN OF CASTINGS, TOOLING AND DEVELOPMENT OF PRODUCTION TECHNOLOGY



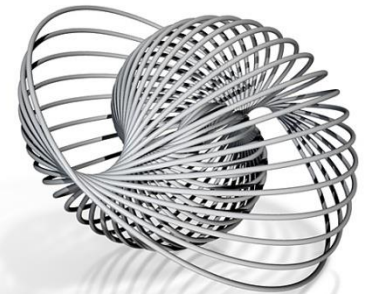
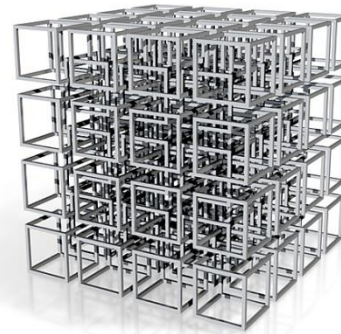
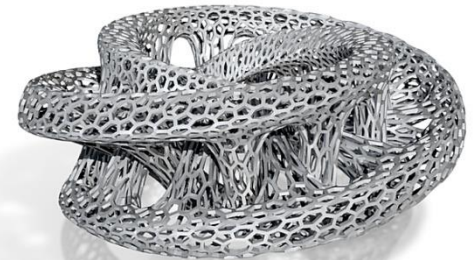


DESIGN BASED ON ADDITIVE TECHNOLOGIES

TRADITIONAL TECHNOLOGY



ADDITIVE TECHNOLOGY



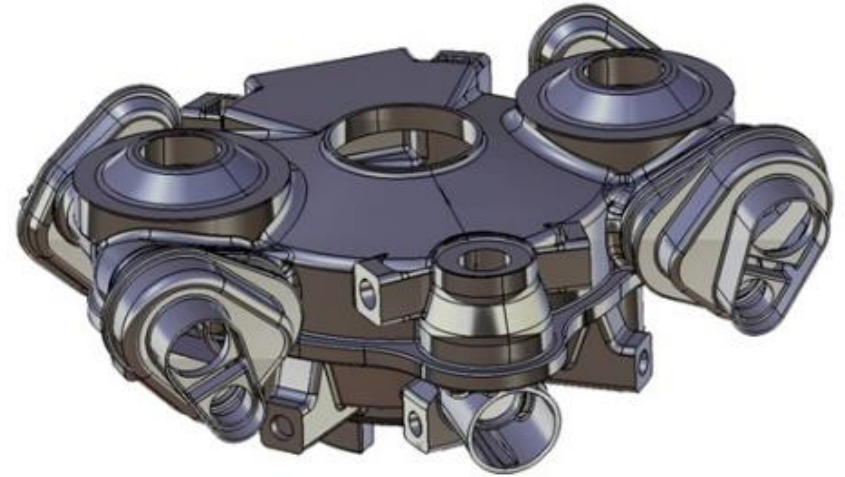


RESEARCH
INDUSTRIAL
COMPLEX
DIGITAL CASTING PRODUCTION



DIGITAL
ADDITIVE
MANUFACTURING

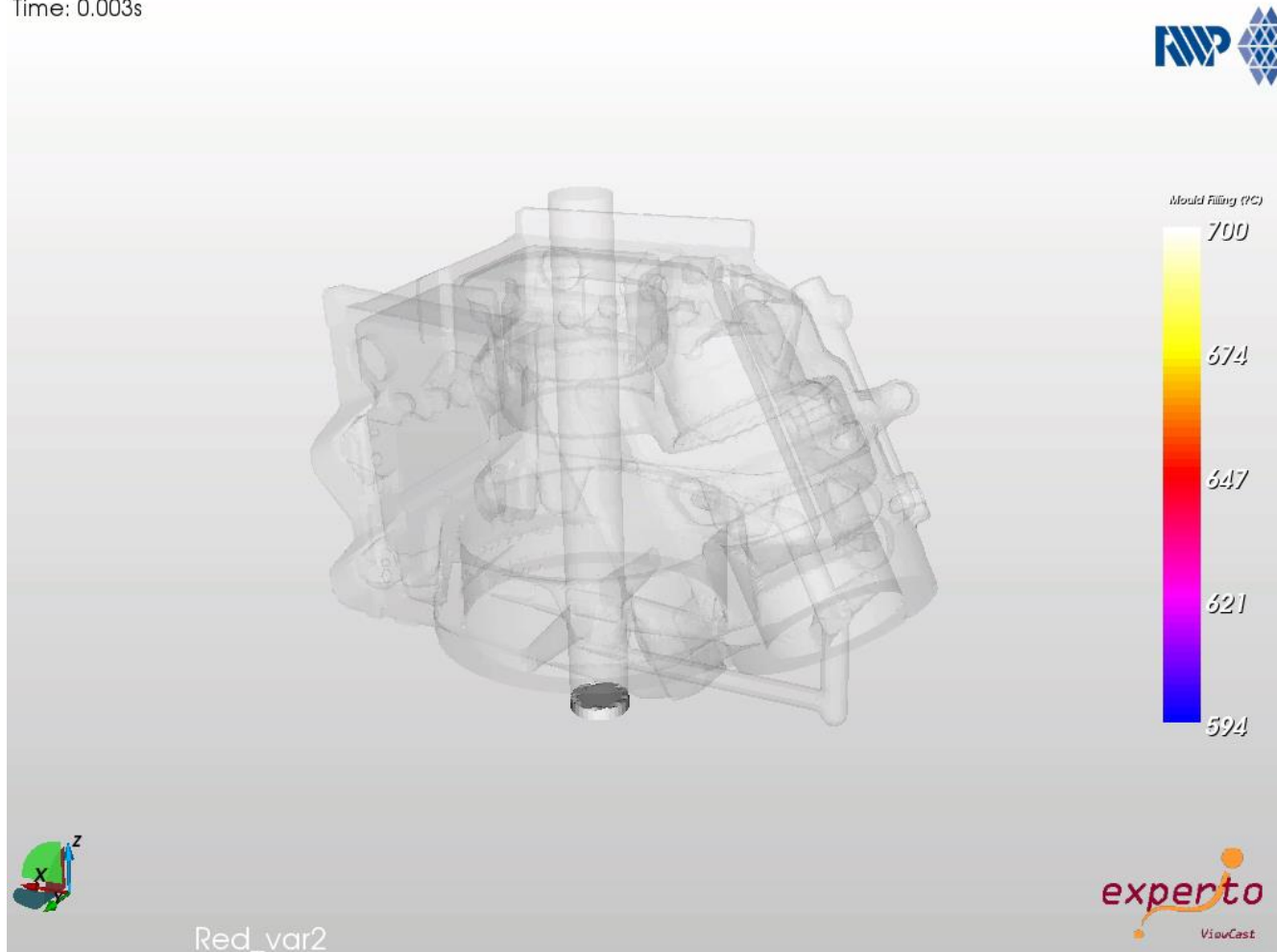
DESIGN OPTIMIZATION





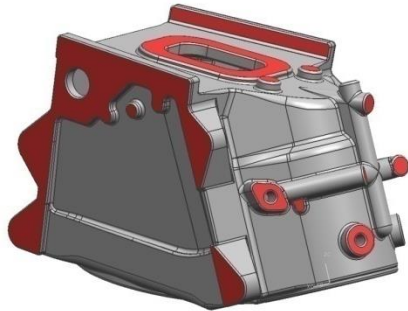
MODELING OF CASTING

Time: 0.003s

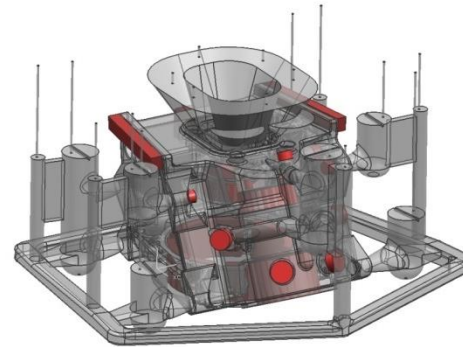




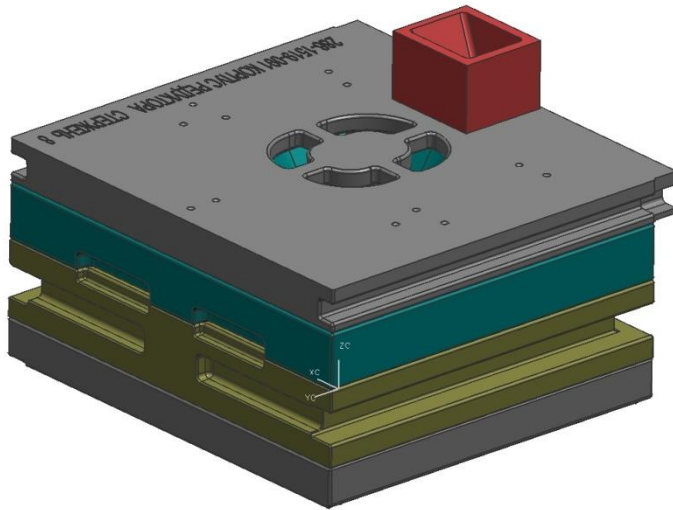
TRADITIONAL SAND CASTING MOLD



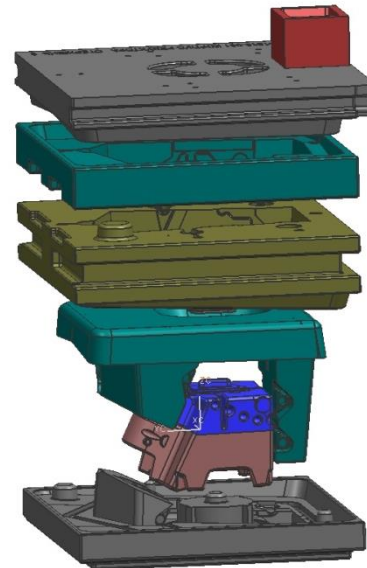
Dimensions :
480 x 370 x 280 mm
Weight : 15 kg



Dimensions :
650 x 590 x 376 mm
Weight : 33 kg



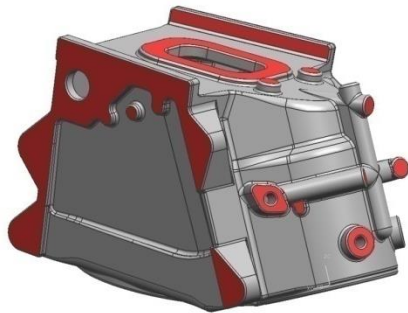
Dimensions:
850 x 750 x 400 mm
Weight : 400 kg



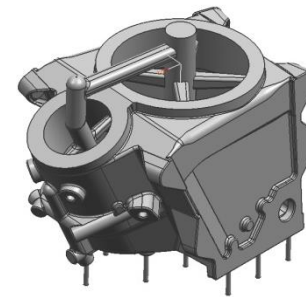
Total of cores :
9 pcs.
Weight of cores:
- Minimum 10 kg
- **Maximum 82 kg**



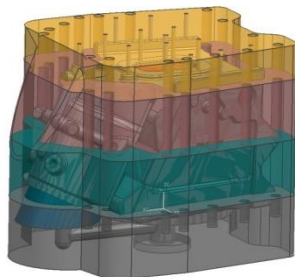
SHELL SAND CASTING MOLD



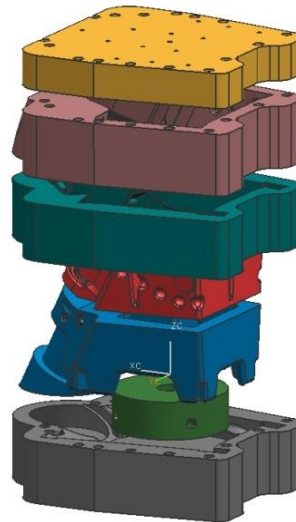
Dimensions :
480 x 370 x 280 mm
Weight : 15 kg



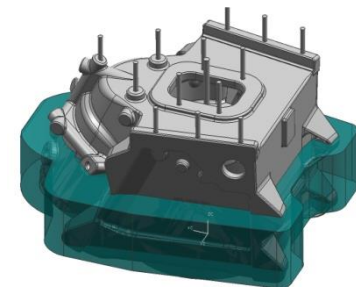
Dimensions :
405 x 347 x 300 mm
Weight : 17 kg



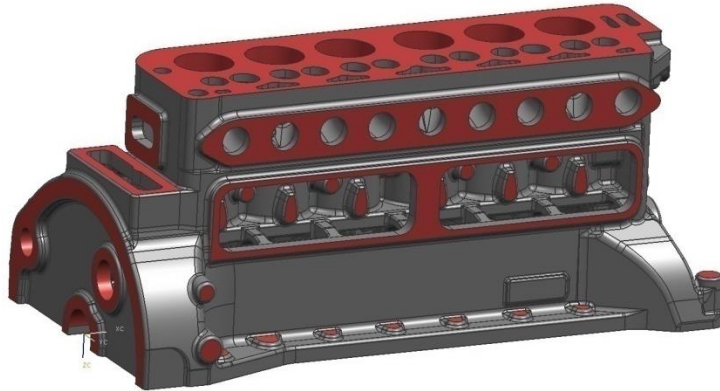
Dimensions :
530 x 415 x 380 mm
Weight : 105 kg



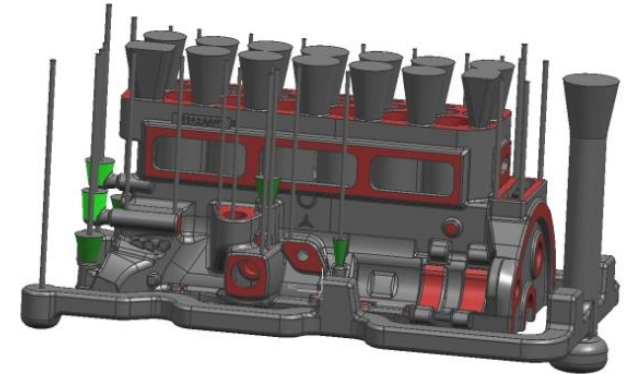
Total of cores : 7 pcs
Weight of cores :
- Minimum 3 kg
- Maximum 20 kg



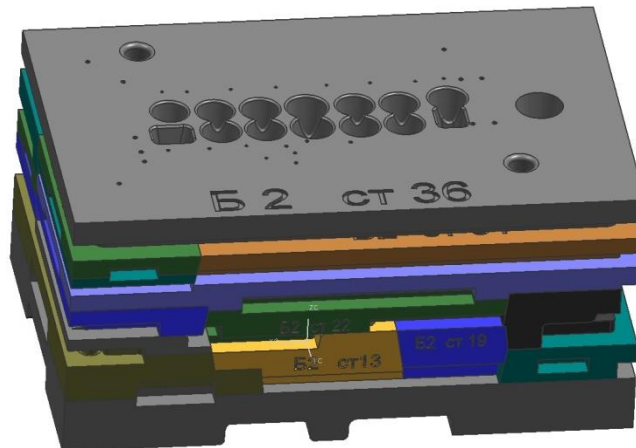
External cores:
Wall thickness from 30 to 50 mm



Dimensions :
800 x 405 x 335 mm
Casting weight : about 150 kg



Dimensions :
1000 x 575 x 520 mm
Casting weight : about 280 kg



Dimensions :
1200 x 745 x 565 (Z) mm
Weight of assembled mold : около 600 kg

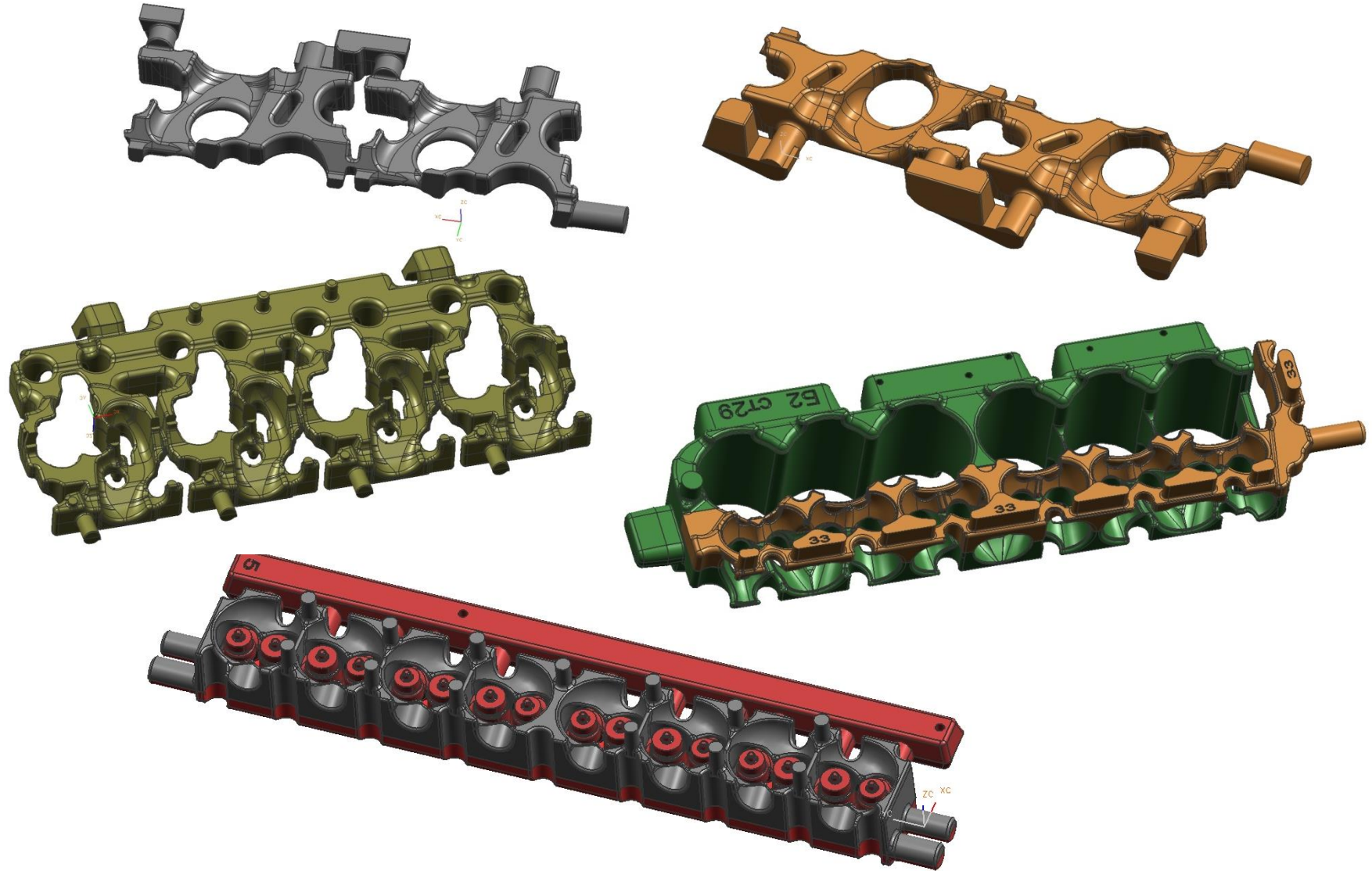
Total of cores : 42 psc.



RESEARCH
INDUSTRIAL
COMPLEX
DIGITAL CASTING PRODUCTION



DIGITAL
ADDITIVE
MANUFACTURING

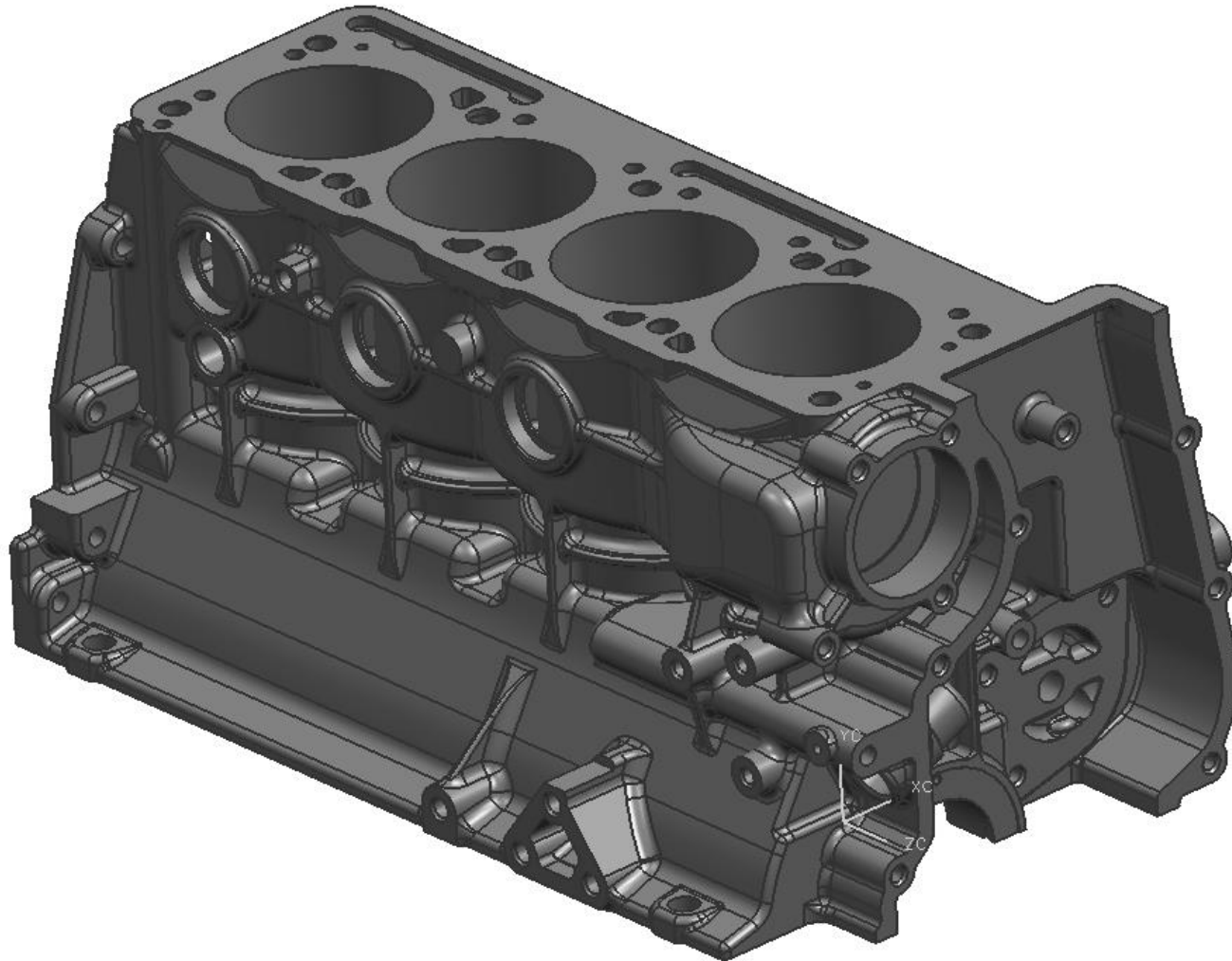




RESEARCH
INDUSTRIAL
COMPLEX
DIGITAL CASTING PRODUCTION



DIGITAL
ADDITIVE
MANUFACTURING





EQUIPMENT FOR 3D-PRINTING

- POLYMER POWDER MATERIALS
- METAL POWDERS
- QUARTZ SAND
- CERAMIC POWDER MATERIALS

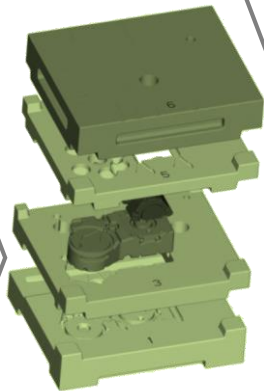




COMPLEX «SAND CASTING MOLDS»

TECHNOLOGICAL COMPLEX ADDITIVE MANUFACTURE OF SAND MOLDS AND CORES

DIGITAL DATA

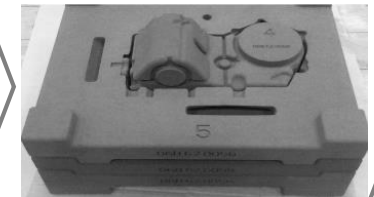


CAD
OF SAND CASTING
MOLD

EQUIPMENT FOR ADDITIVE MANUFACTURING



PRODUCTS





PERFORMANCE COMPARISON OF THE EQUIPMENT FOR 3D-PRINTED MOLDS



S-15 (2008 year)

Number of job boxes: 1
Build volume: 1500 x 750x 700 mm
Build speed: 13-27 L/h
Operating time per job box: 44 h
Sand consumption for full box: 1,2 t



Exerial (2015 year)

Number of job boxes: 2
Build volume: 2200 x 1200 x 700 mm
Build speed: 300-400 L/h
Operating time per job box: 12 h
Sand consumption for full box: 12 t



	S-Print			S-Max	S-Max+		Exerial	
	Furan	Phenol	Silicate	Furan	Phenol	Silicate	Furan	Silicate
Build volume	800 x 500 x 400 мм			1800 x 1000 x 700 мм	1800 x 1000 x 600 мм		2200 x 1200 x 700 мм	
Job box capacity	160 л			1,260 л	1,080 л		3,696 л	
Build speed	20-36 л/ч	16-36 л/ч	16-18 л/ч	60-85 л/ч	60-85 л/ч	65-85 л/ч	300-400 л/ч	300-320 л/ч
Layer thickness	280-500 мкм	240 мкм	280-340 мкм	280-500 мкм	280-500 мкм	280-380 мкм	380-500 мкм	280-380 мкм
Print resolution	X/Y/Z 100 мкм			X/Y/Z 100 мкм	X/Y/Z 100 мкм	X/Y/Z 100 мкм	X/Y/Z 100 мкм	X/Y/Z 100 мкм
External dimensions	3270 x 2540 x 2860 мм			6900 x 3520 x 2860 мм	3860 x 2890 x 3470 мм		.8380 x 4030 x 4950 мм	
Weight	3,500 кг			6500 кг	5,800 кг		12,000 кг	
Electrical requirements (equipment)	400 В / 3 ~/N/PE/50-60 Гц макс. 6,2 кВт			400 В / 3 ~/N/PE/50-60 Гц макс. 6,3 кВт	400 В / 3 ~/N/PE/50-60 Гц макс. 6,2 кВт		400 В / 3 ~/N/PE/50-60 Гц макс. 21,5 кВт	
Electrical requirements (heater)	400 В / 3 ~/PE/50-60 Гц макс. 6,3 кВт			400 В / 3 ~/PE/50-60 Гц макс. 10,5 кВт	400 В / 3 ~/PE/50-60 Гц макс. 19,2 кВт		400 В / 3 ~/PE/50-60 Гц макс. 12,6 кВт	
Data interface	STL			STL	x1c, x1i		x1c, x1i	



RESEARCH
INDUSTRIAL
COMPLEX
DIGITAL CASTING PRODUCTION

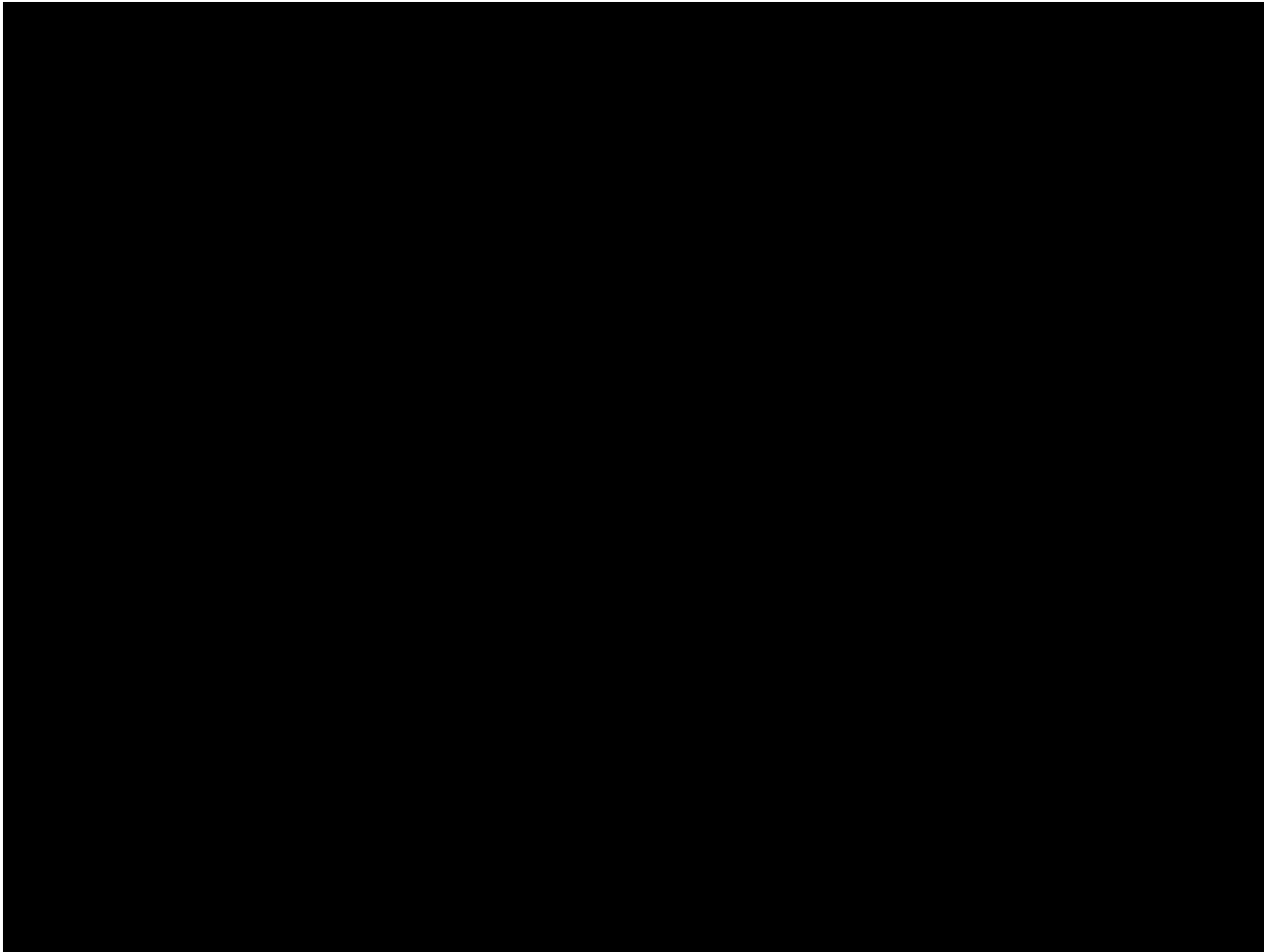


DIGITAL
ADDITIVE
MANUFACTURING

3D PRINT OF CASTING MOLDS, MODEL TOOLING

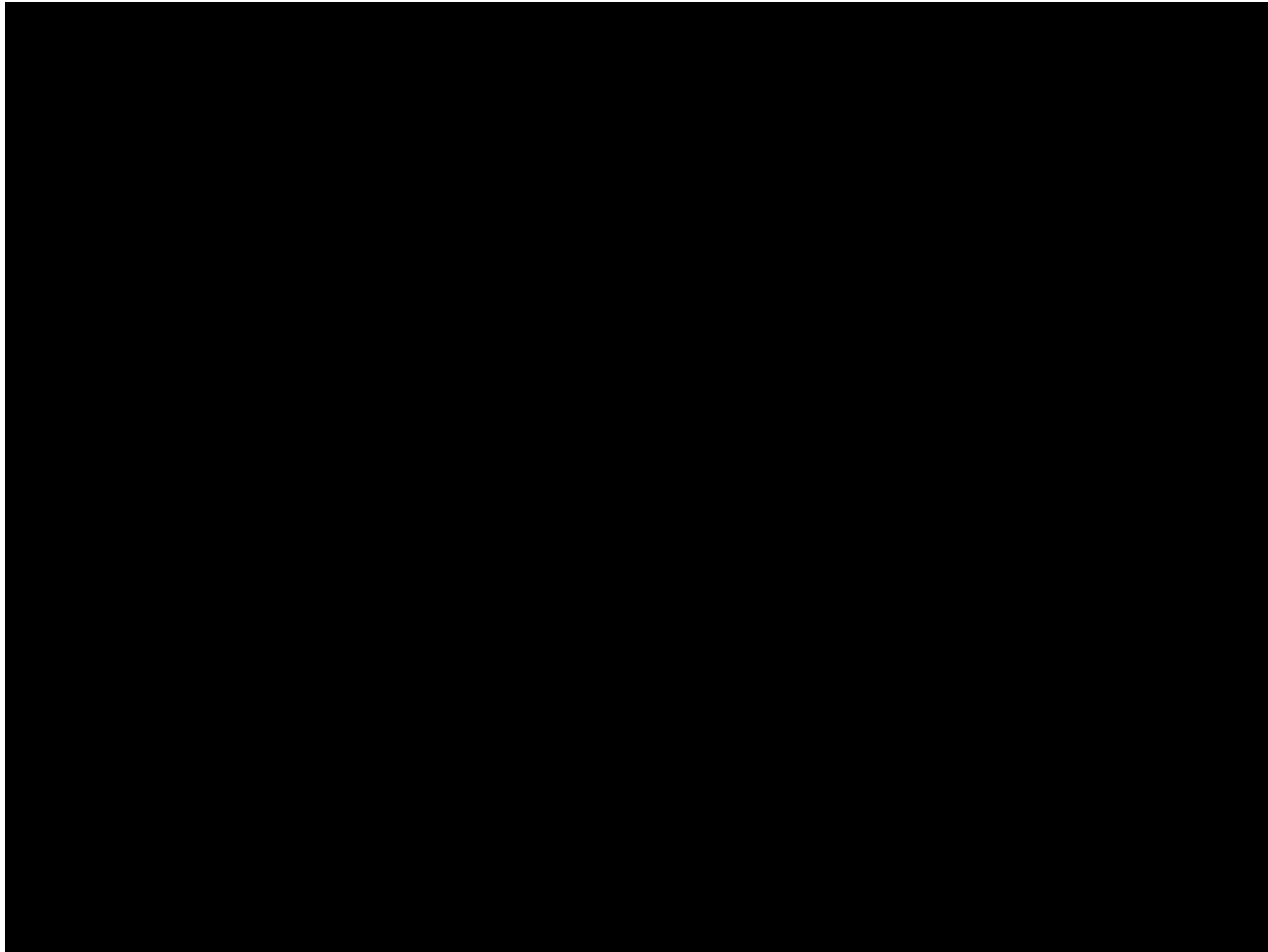


3D PRINT OF CASTING MOLDS, MODEL TOOLING



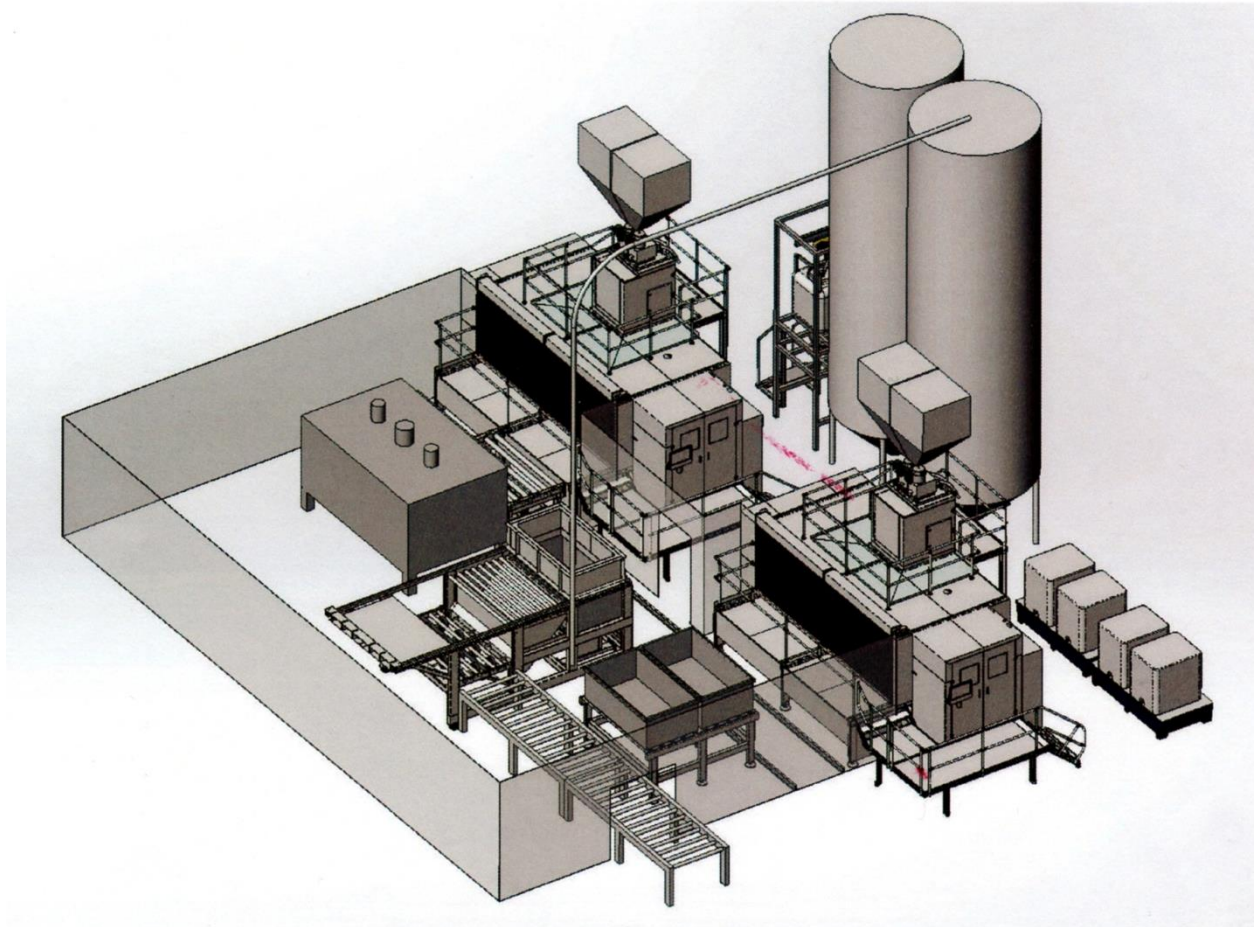


OPERATING AREA OF THE SERIES PRODUCTION OF CASTING MOLDS



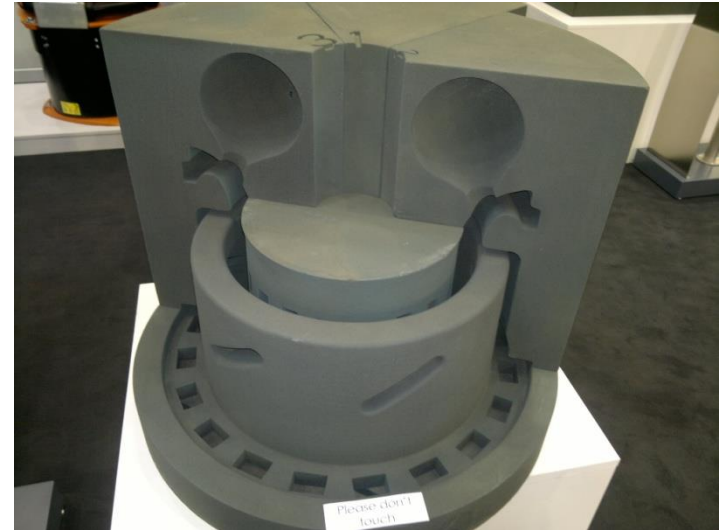
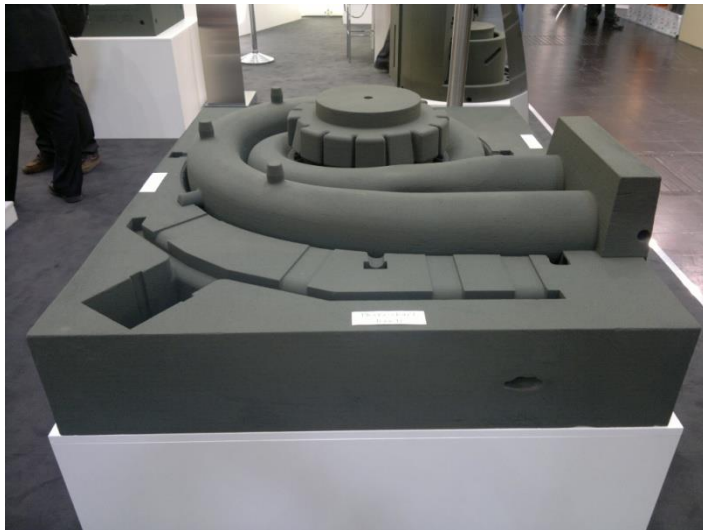
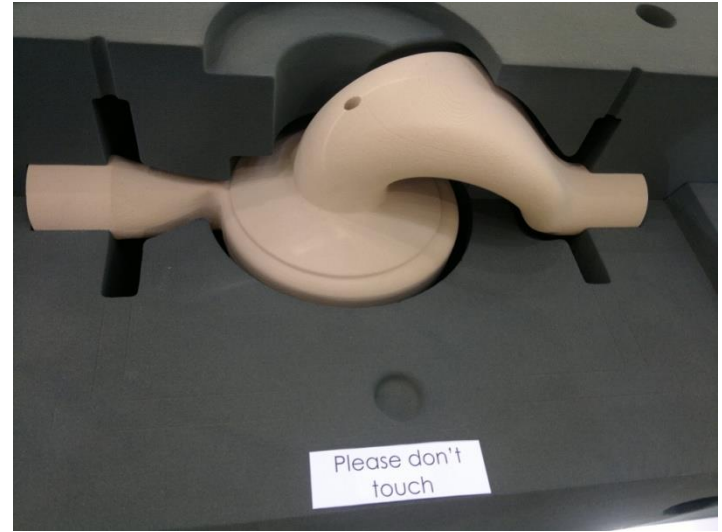


THE AUTOMATED AREA OF FORMS AND CORES COMPONENTS PRODUCTION



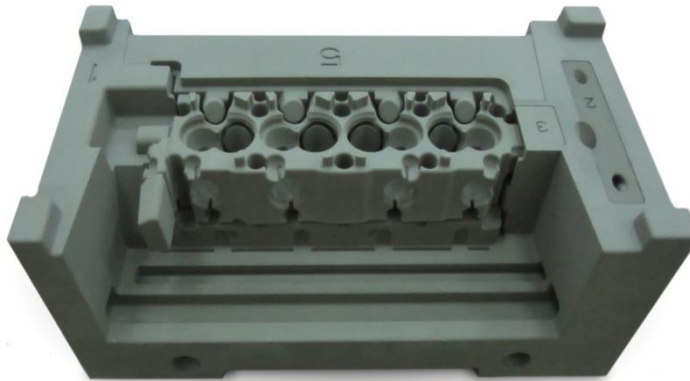
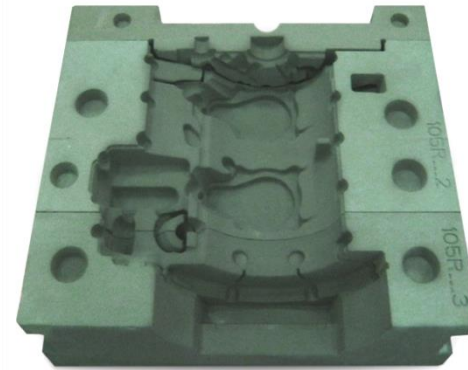
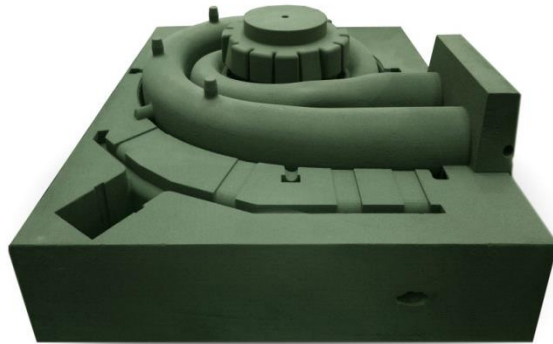


CASTING MOLDS





EXAMPLES OF COMPLETED ORDERS

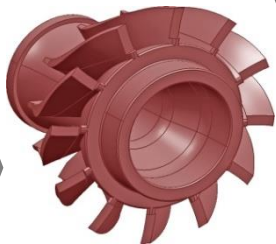




COMPLEX «BURN-OUT CASTING MODELS»

TECHNOLOGICAL COMPLEX ADDITIVE MANUFACTURING OF BURN-OUT CASTING MODELS

DIGITAL DATA



CAD
BURN-OUT
CASTING MODEL




EQUIPMENT FOR ADDITIVE MANUFACTURING



PRODUCTS

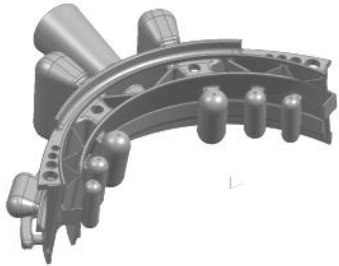




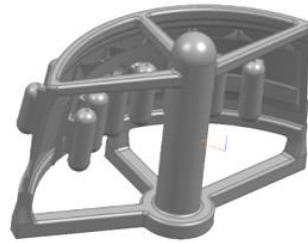
			
	VX 1000	M-Flex	Innovent
Build volume	1000 x 600 x 500 мм	500 x 400 x 300 мм	300 x 200 x 150 мм
Job box capacity	300 л	60 л	9 л
Build speed	36 мм/ч	15 мм/ч	12 мм/ч
Layer thickness	100/300 мкм	80/150 мкм	150 мкм
Print resolution	до 600 dpi	до 600 dpi	До 300 dpi
External dimensions	2800 x 2400 x 2300 мм	1750 x 1850 x 2100 мм	1700 x 900 x 1500 мм
Weight	3,500 кг	1200 кг	450 кг
Electrical requirements	208-240 В / 3 ~	208-240 В / 3 ~	120 В / 1 ~ /60 Гц 230 В / 1 ~ /50 Гц
Data interface	STL	STL	STL



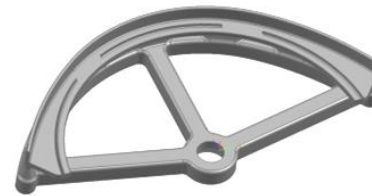
BURN-OUT CASTING MODELS FOR PRECISION CASTING



Dimensions :
510 x 370 x 180 mm
Build volume :
3600000 mm³



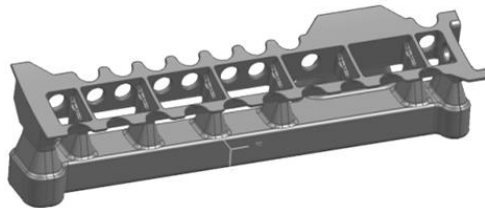
Dimensions :
455 x 270 x 280 mm
Build volume :
3130000 mm³



Dimensions :
580 x 290 x 87 mm
Build volume :
1784900 mm³



Dimensions :
280 x 87 x 65 mm
Build volume :
407600 mm³



Dimensions :
410 x 117 x 100 mm
Build volume :
927000 mm³



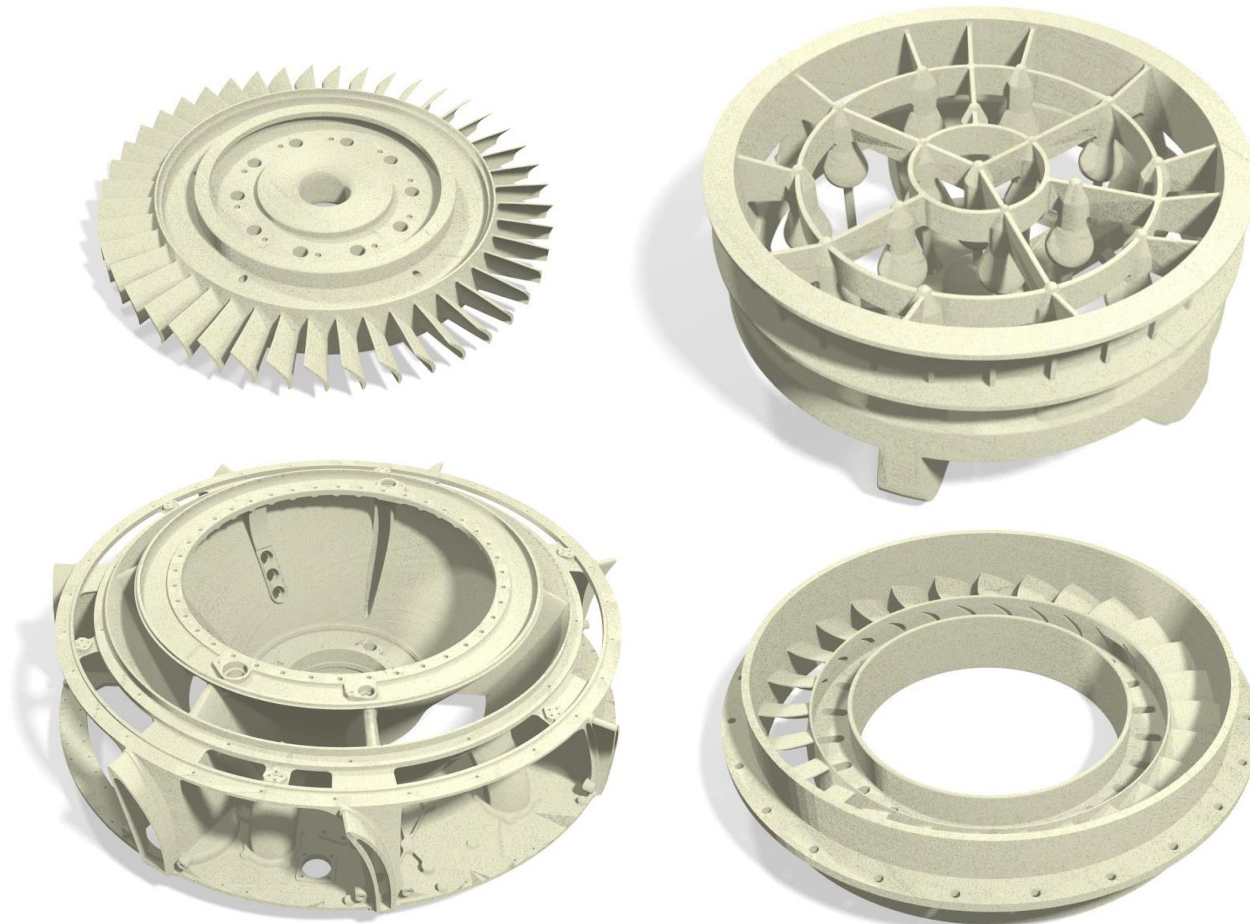
Dimensions :
540 x 90 x 95 mm
Build volume :
774100 mm³



Dimensions :
470 x 140 x 130 mm
Build volume :
1021000 mm³



EXAMPLES OF COMPLETED ORDERS





COMPLEX «SHELL MOLDS»

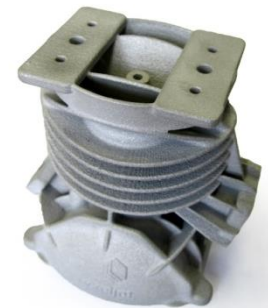
TECHNOLOGICAL COMPLEX ADDITIVE MANUFACTURE OF SHELL CERAMIC MOLDS

EQUIPMENT FOR SHELL MOLDS MANUFACTURING

PRODUCTS



BURN-OUT MODEL





RESEARCH
INDUSTRIAL
COMPLEX
DIGITAL CASTING PRODUCTION



DIGITAL
ADDITIVE
MANUFACTURING



ULTRASONIC TECHNOLOGY

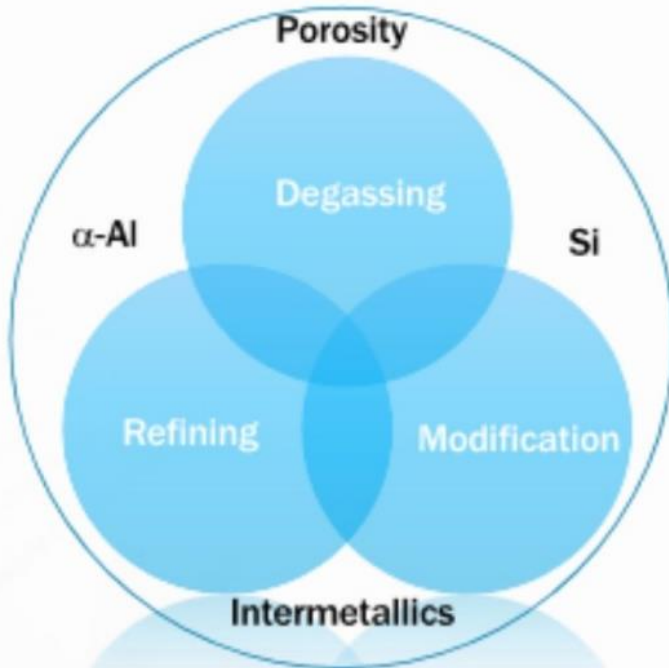
- CASTING TECHNOLOGY
- INTENSIFICATION OF PROCESSES
- CONTROL



ANYTHING
HAS IT'S
OWN
SOUND

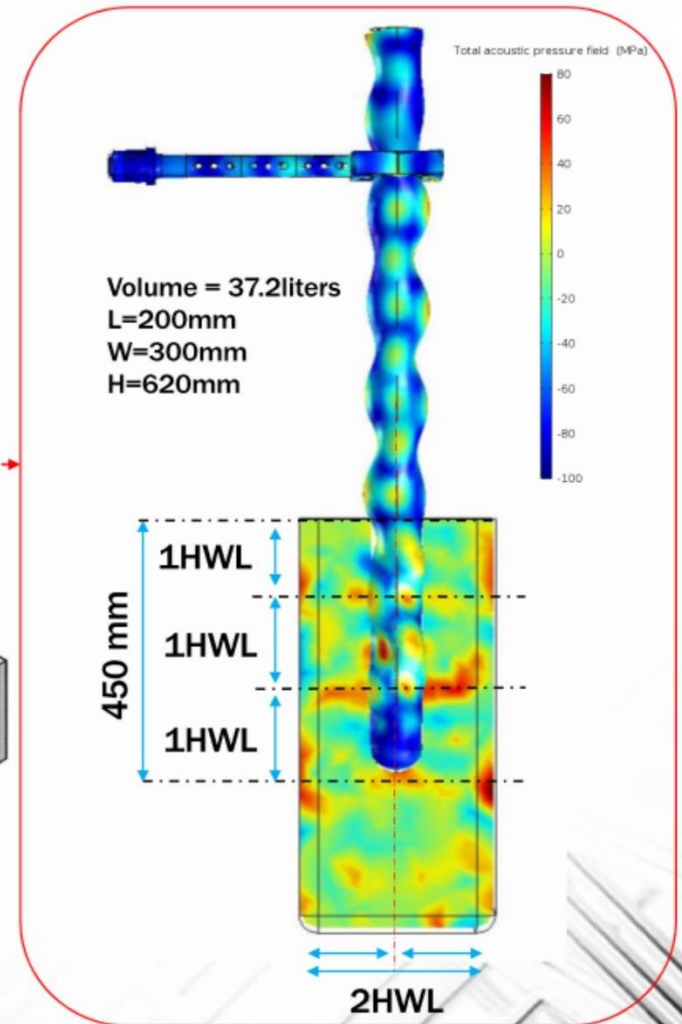
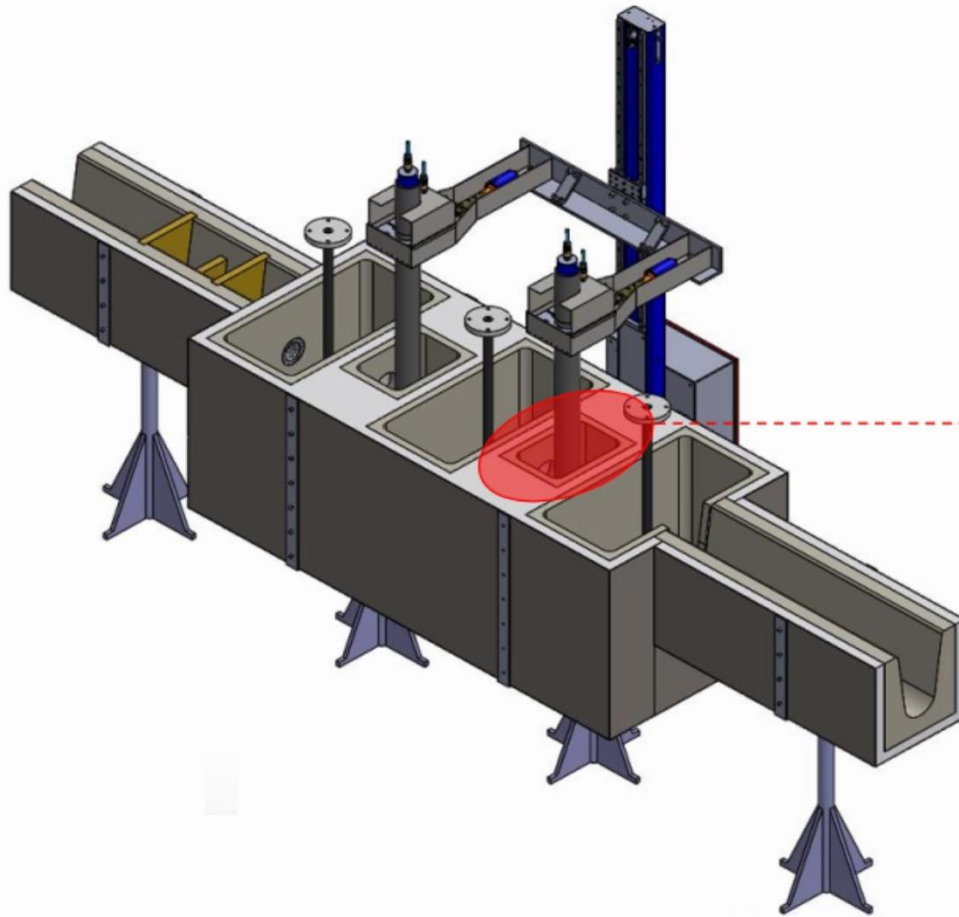


Breakthrough in Ultrasonic assisted industrial Continuous Casting



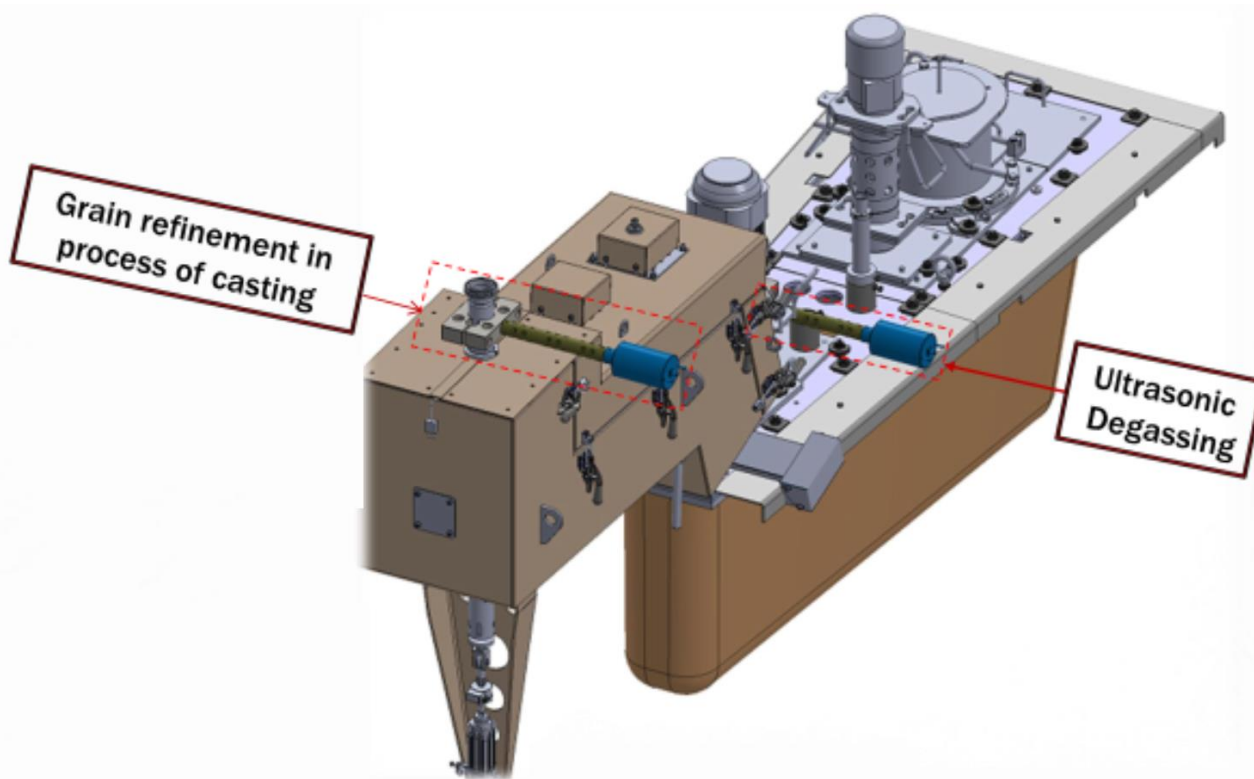


CONTINUOUS ULTRASONIC PROCESSING APPLIED TO ALLOY

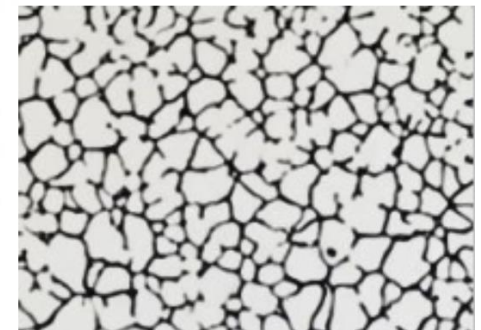




DESIGN OPTIONS APPLIED IN PROCESSING OF LIGHT ALLOY MELTS

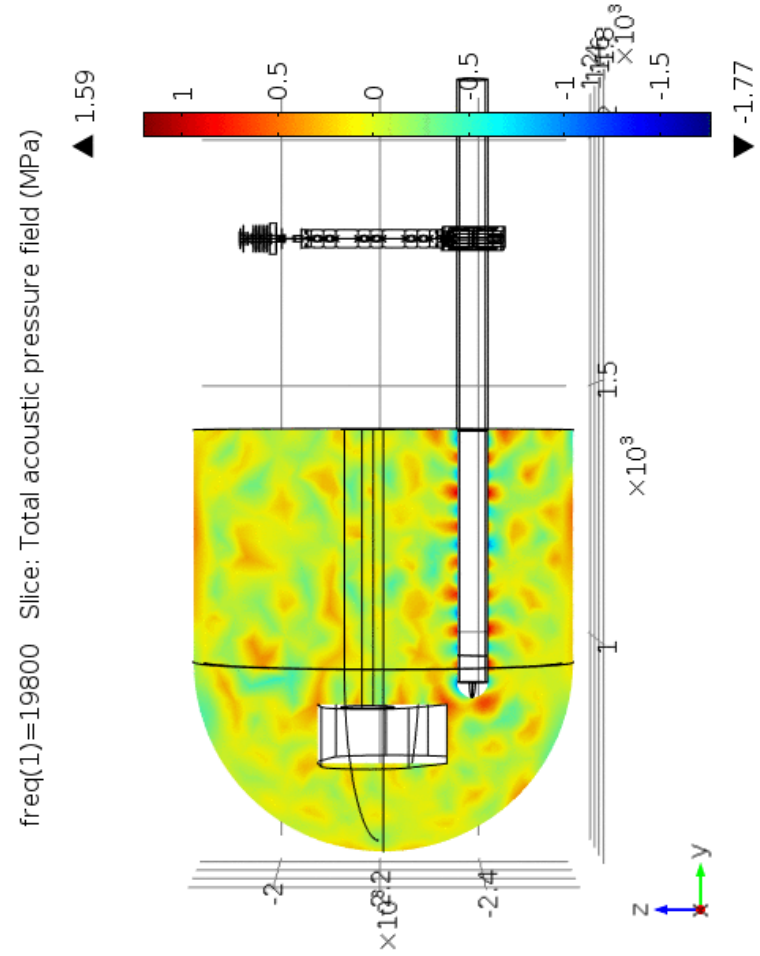
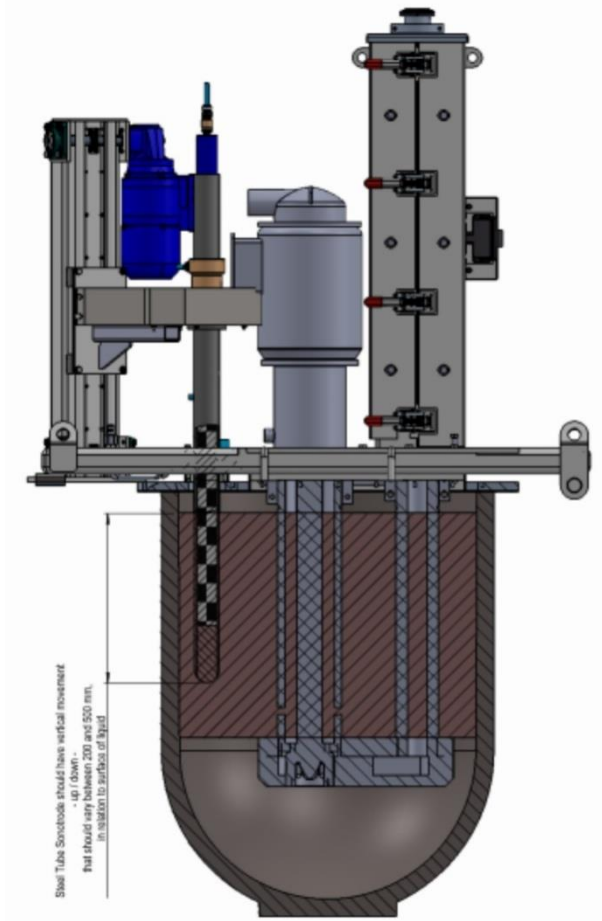


Light Alloys Furnace
Ultrasonically optimized





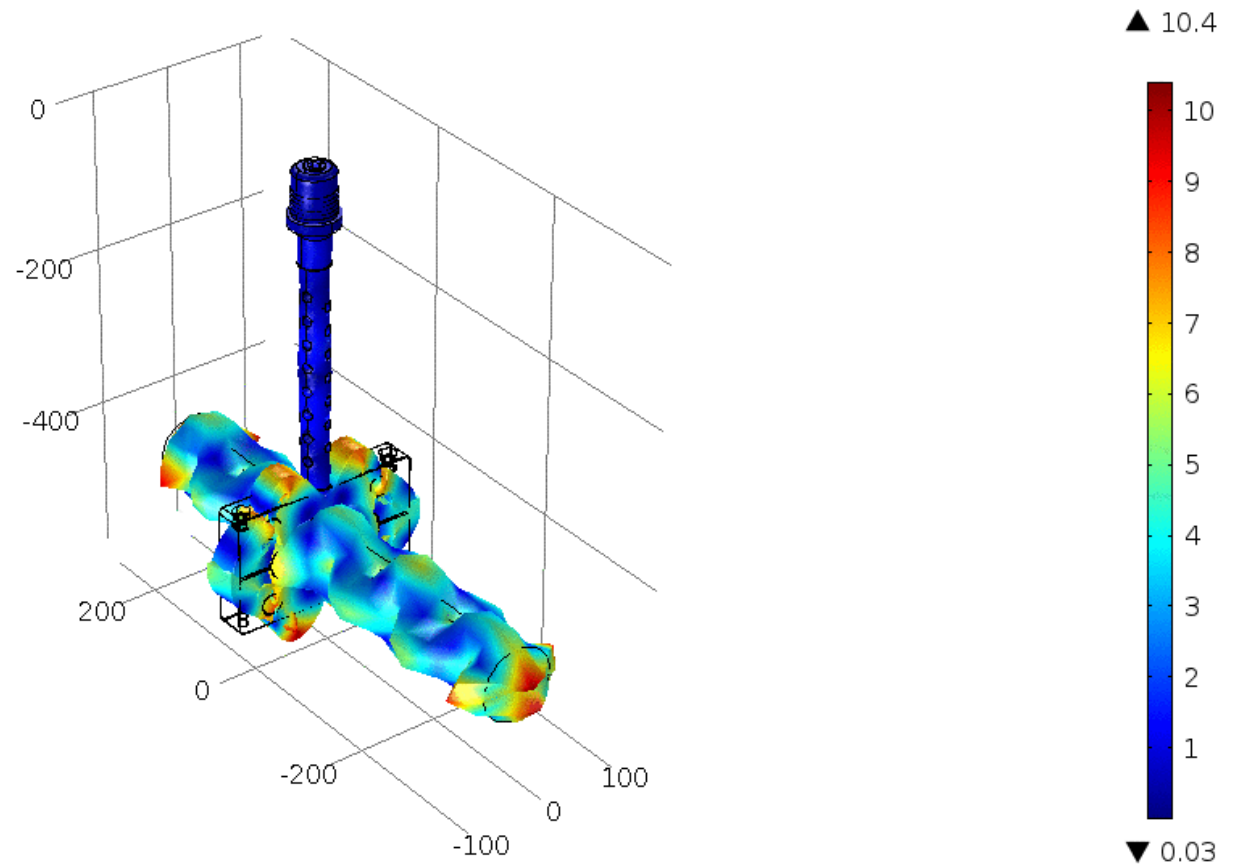
DEGASSING AND MODIFICATION OF ALLOY





ULTRASONIC SONOTRODE

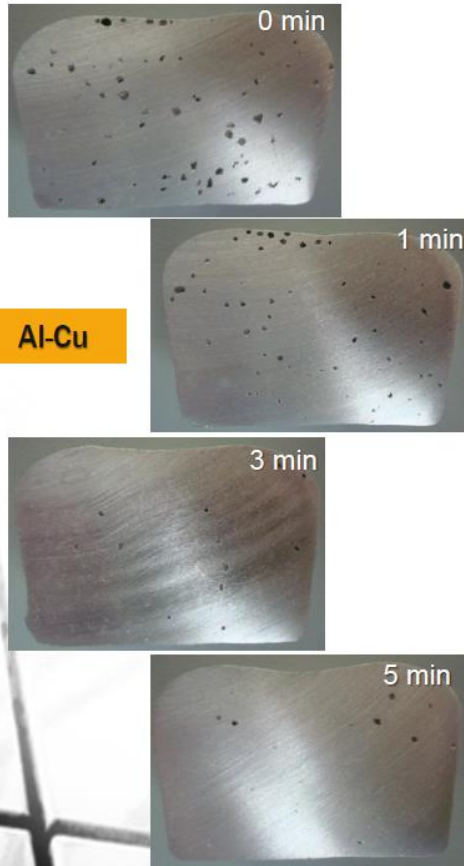
Eigenfrequency=20080.339394 Surface: Total displacement (μm)



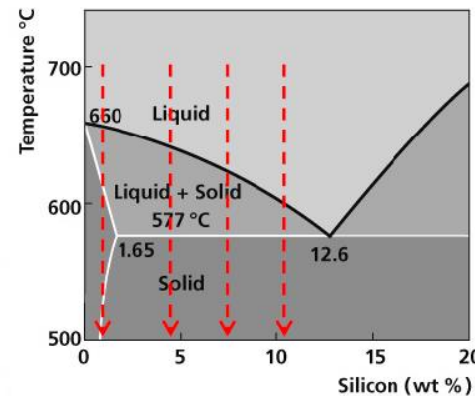
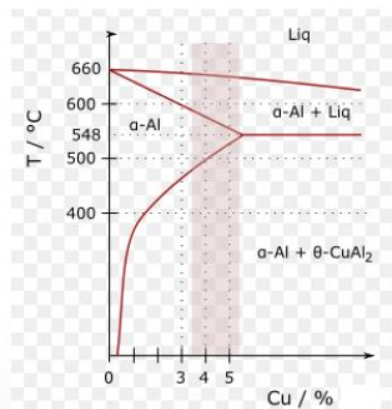
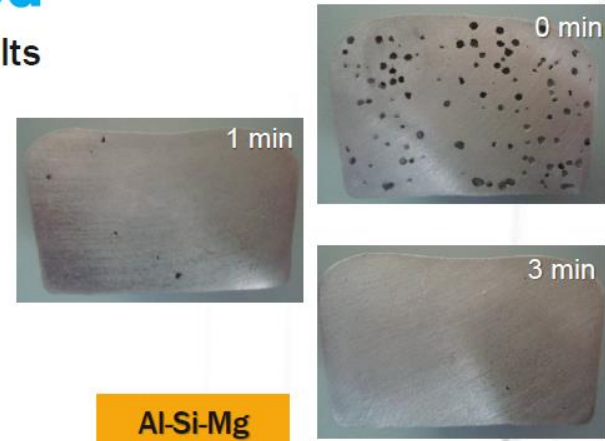
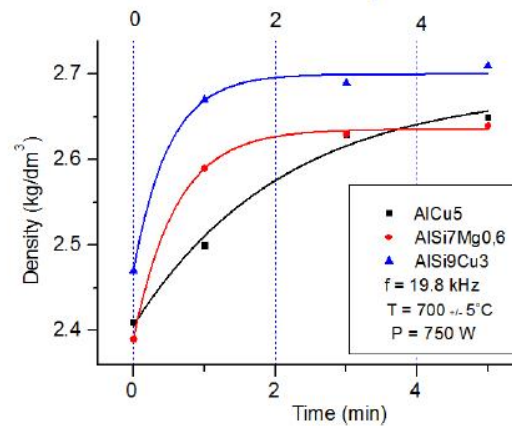


ALLOY MODIFICATION

Static Casting, Ultrasonically Assisted



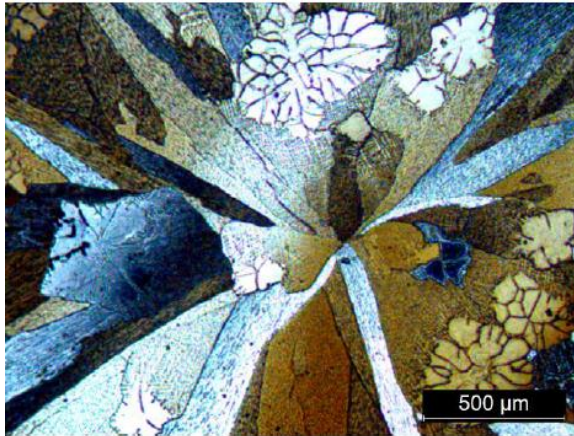
Some of our experimental results



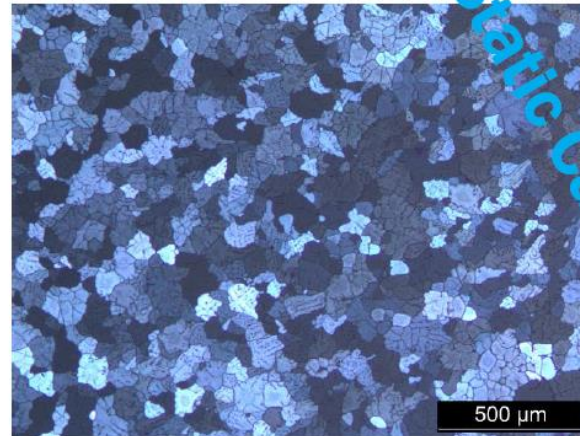


ALLOY MODIFICATION

AlSc

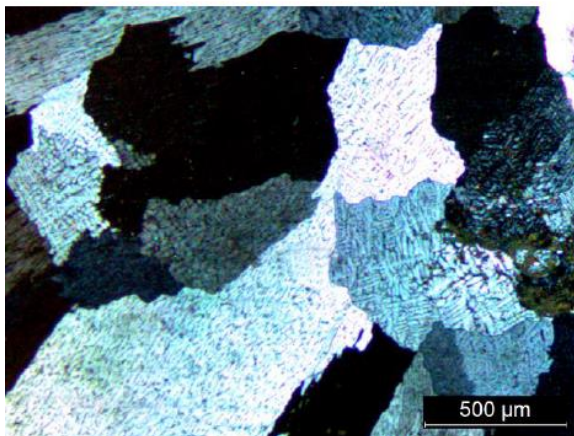


AlSc+US

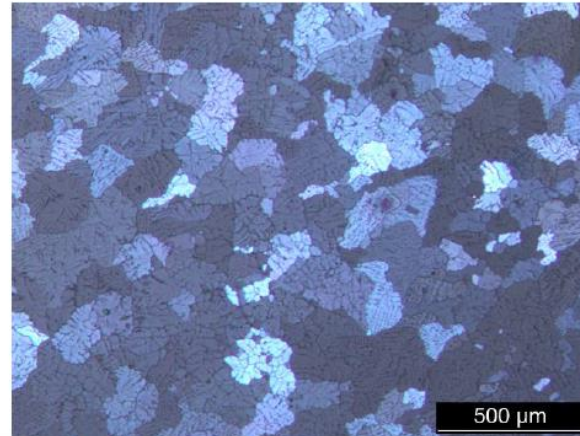


Static Casting

AlScMg

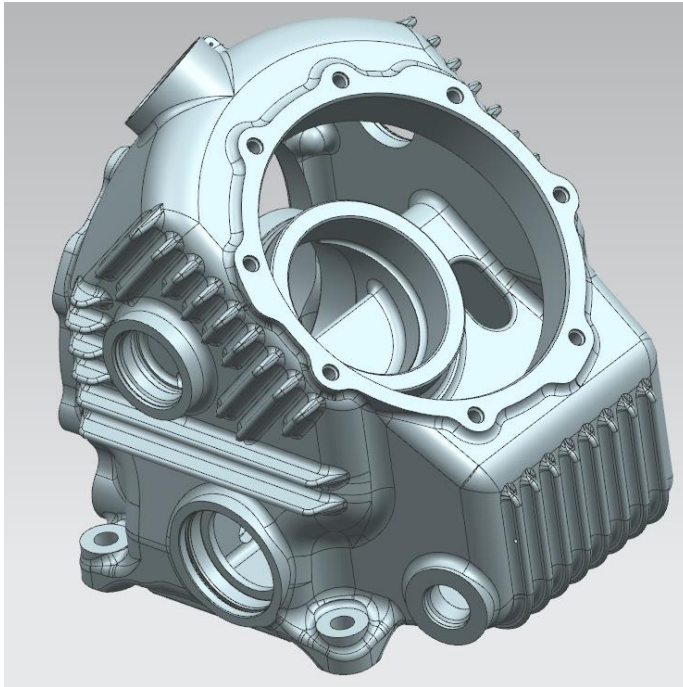


AlScMg+US



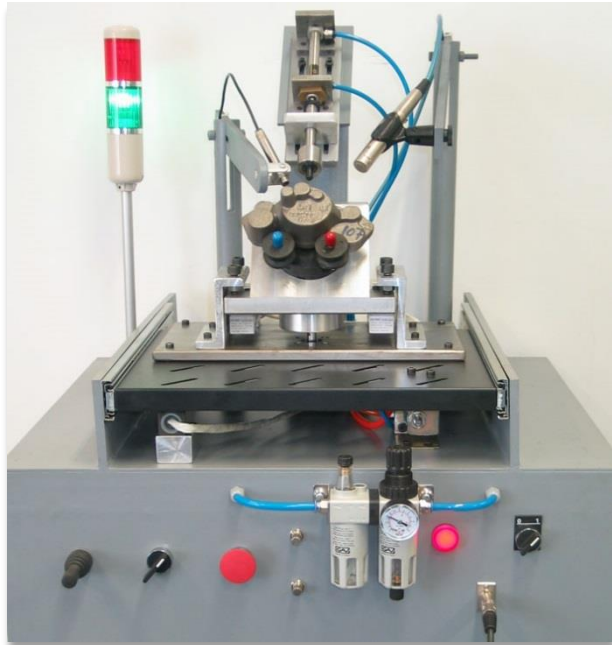


GEARBOX HOUSING CASTING WITH AN APPLICATION OF MMM TECHNOLOGY

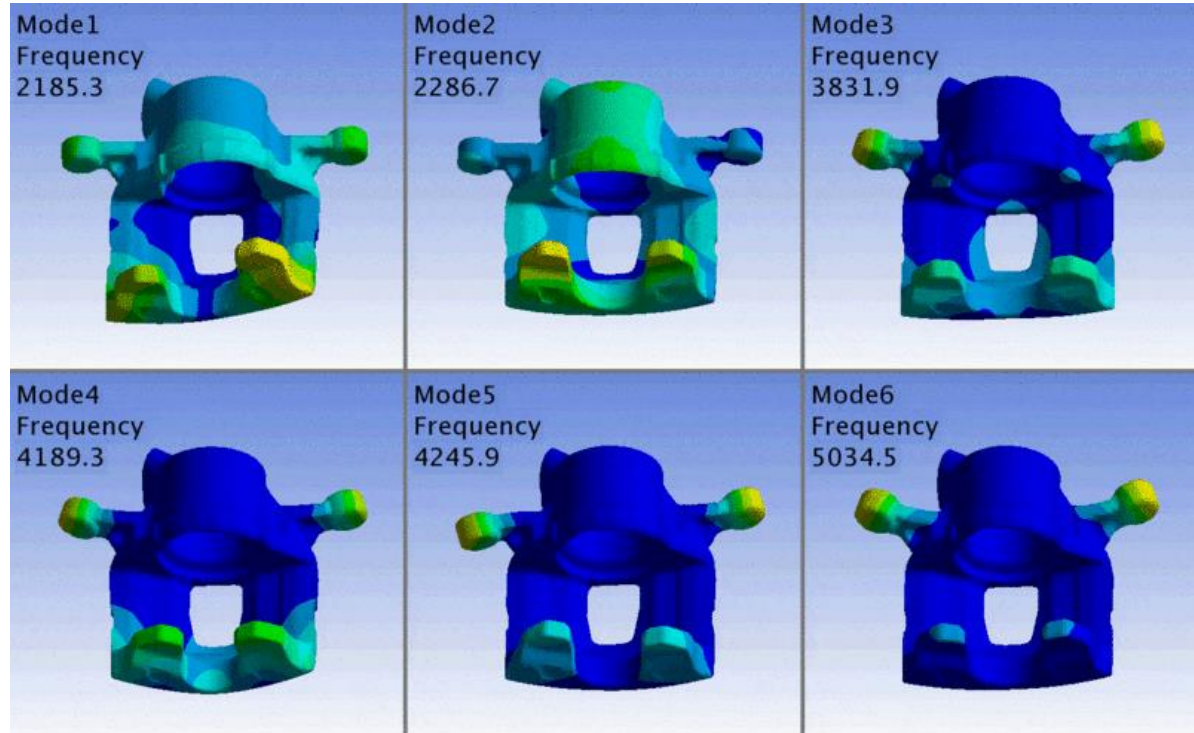




Brake Caliper: Nodularity test, Crack detection, Cold shut, Dimensional variations



Kia Pride Brake Caliper

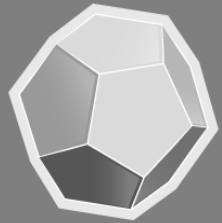




RESEARCH
INDUSTRIAL
COMPLEX
DIGITAL CASTING PRODUCTION

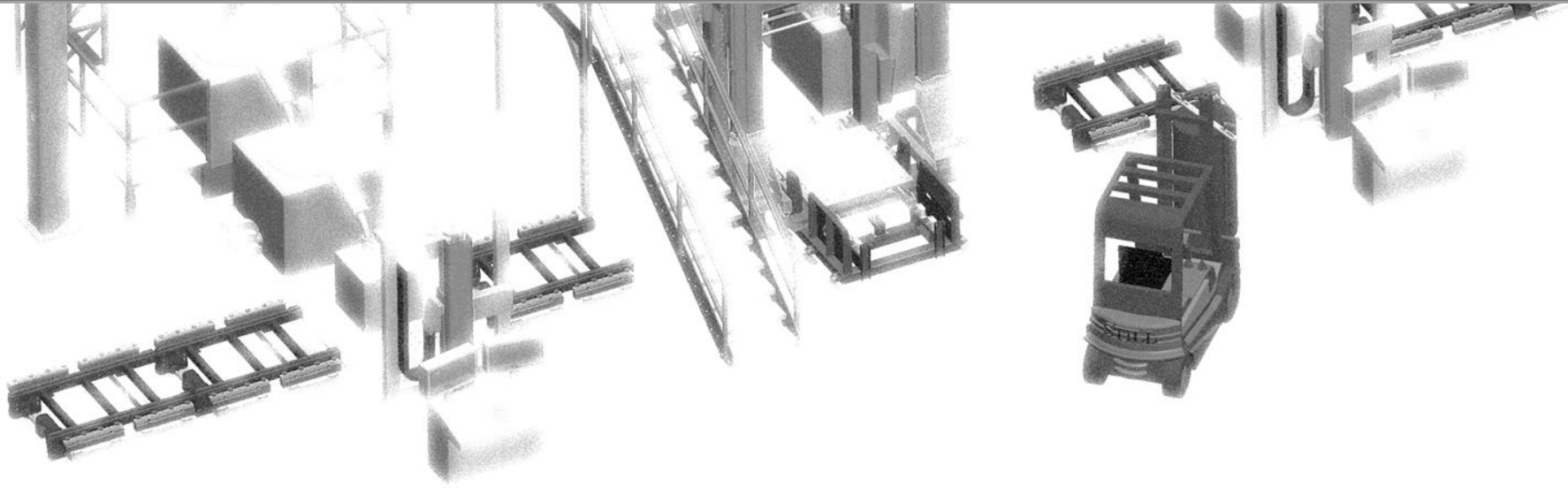


DIGITAL
ADDITIVE
MANUFACTURING



EQUIPMENT FOR
PRECISION CASTING

- NON-FERROUS METALS
- FERROUS METALS





COMPLEX «ALLOY PREPARATION»

TECHNOLOGICAL COMPLEX PREPARATION OF ALLOY WITH SPECIAL PROPERTIES
TO ENSURE HIGH-QUALITY CASTING

ALLOY

ORIGINAL
MAGNESIUM
CHARGE ALLOY
(MA8L4)

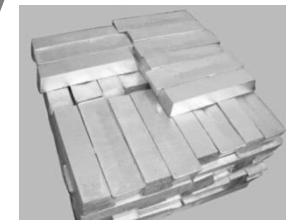
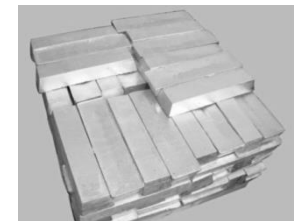
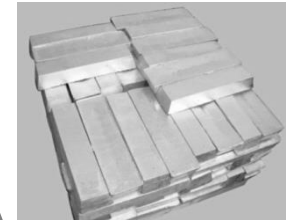
WASTE GATING
SYSTEMS

CHIPS

COMPLEX FOR ALLOY PREPARATION



PRODUCTS



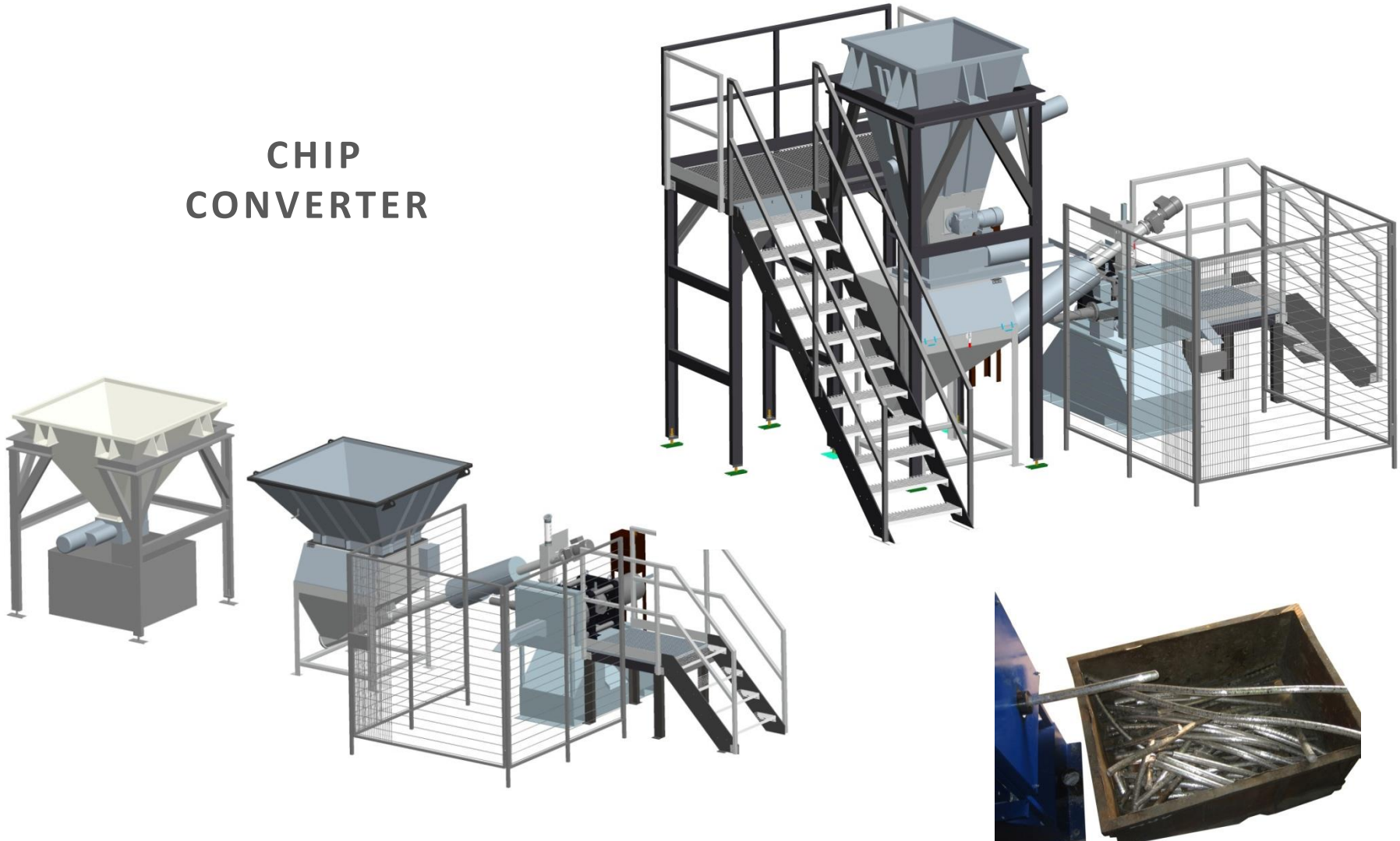


FLAMMABILITY OF STANDARD MAGNESIUM ALLOYS





CHIP CONVERTER





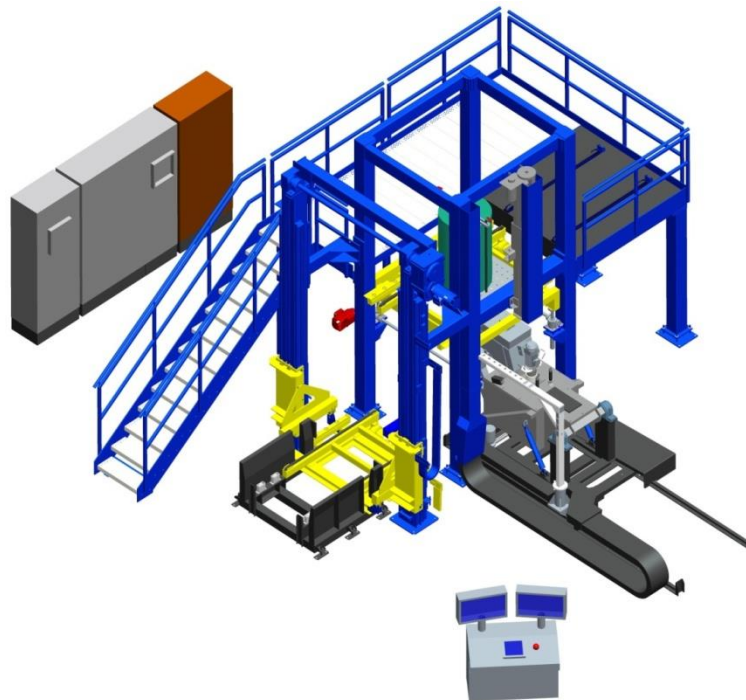
COMPLEX «CASTING OF NON-FERROUS METALS»

SYSTEMS FOR MAGNESIUM AND ALUMINUM LOW PRESSURE CASTING AND GRAVITY CASTING
WITH DOSING OF METAL

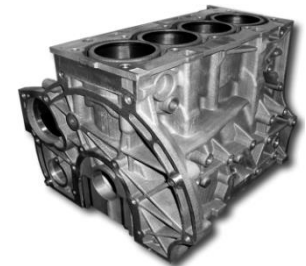
EQUIPMENT



CASTING COMPLEX



PRODUCTS



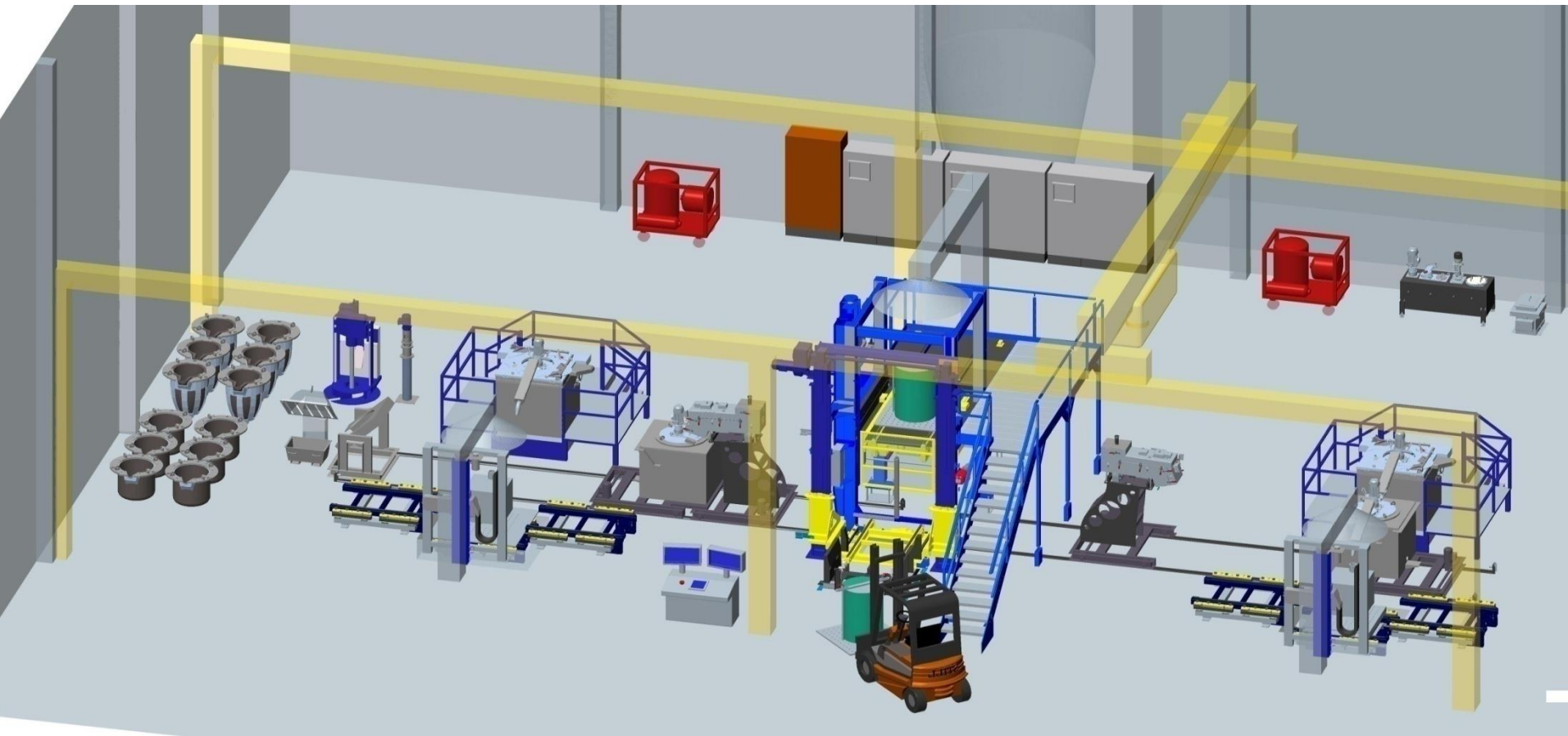


LOW PRESSURE CASTING SYSTEM



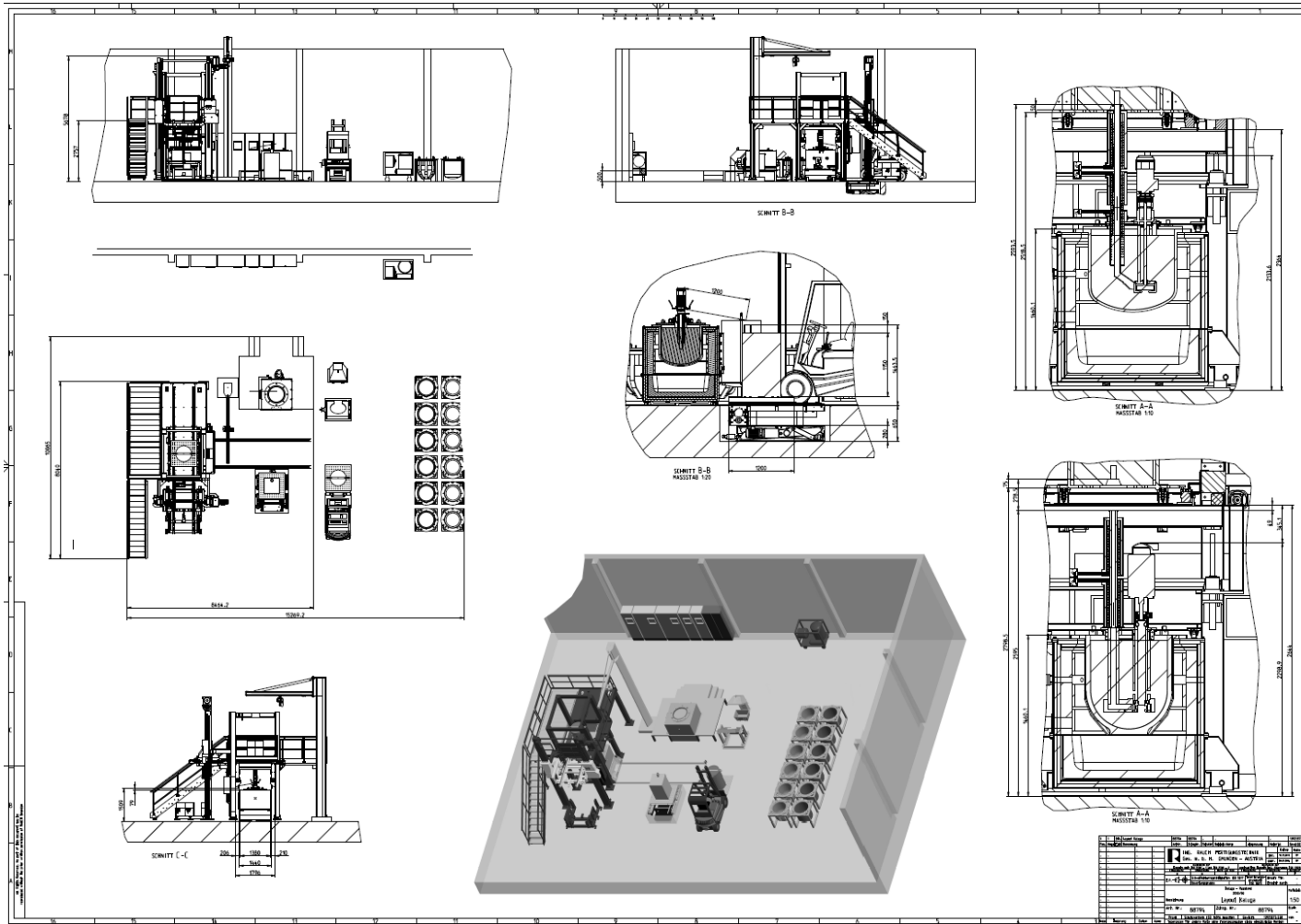


AREA LAYOUT OF LOW PRESSURE CASTING SYSTEM FOR MAGNESIUM AND ALUMINUM ALLOYS





AREA LAYOUT OF LOW PRESSURE CASTING SYSTEM FOR MAGNESIUM AND ALUMINUM ALLOYS



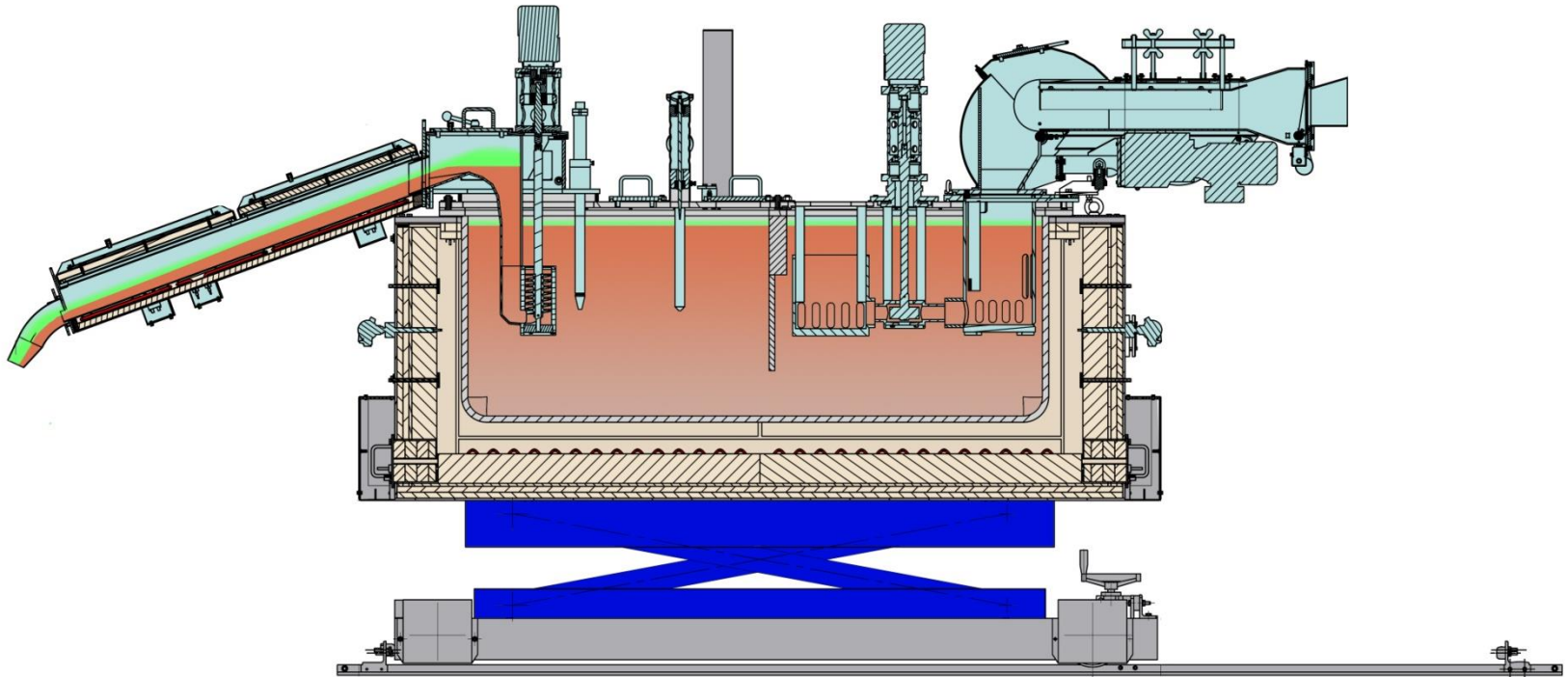


DOSED GRAVITY CASTING



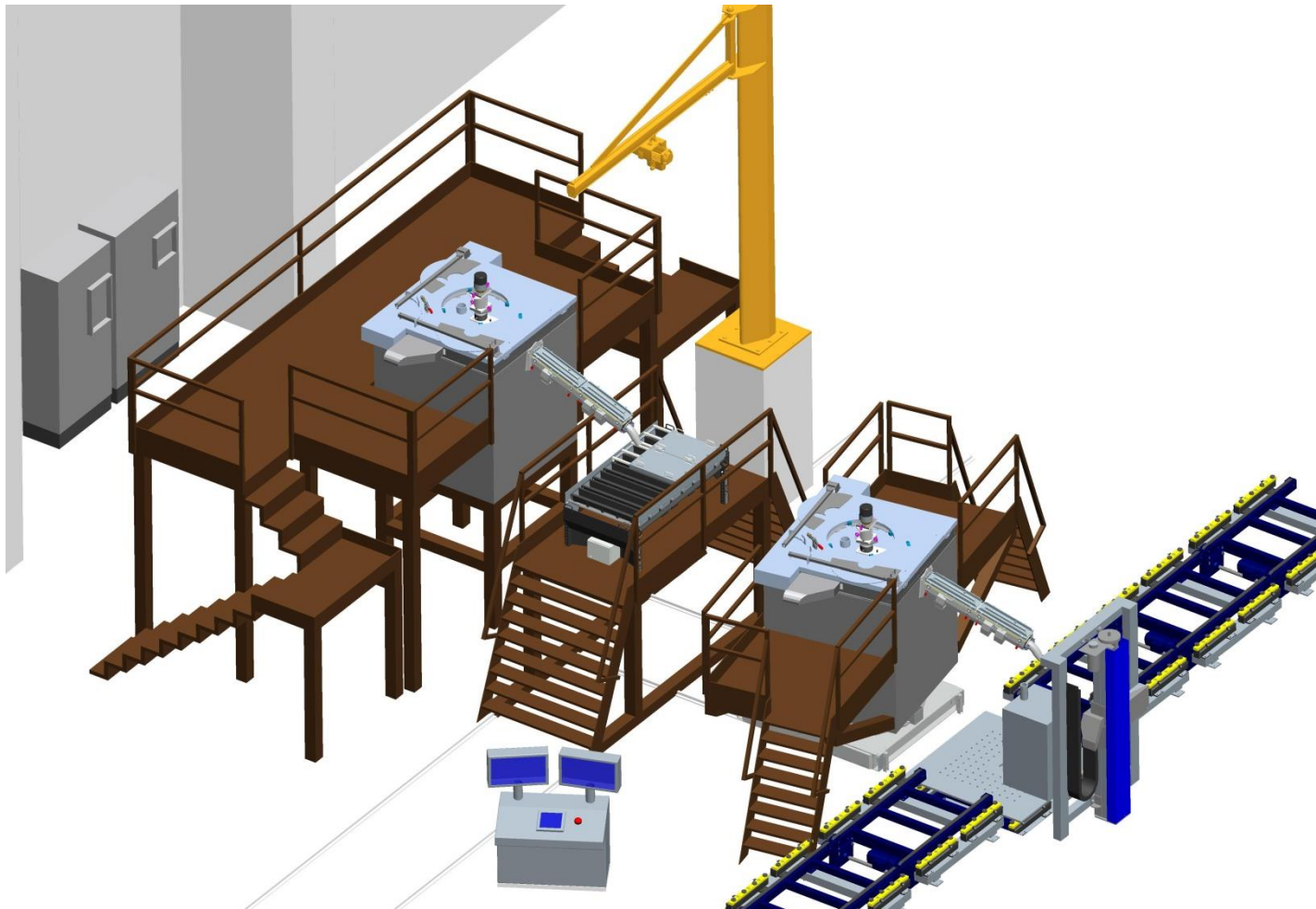


FURNACE FOR DOSED GRAVITY CASTING



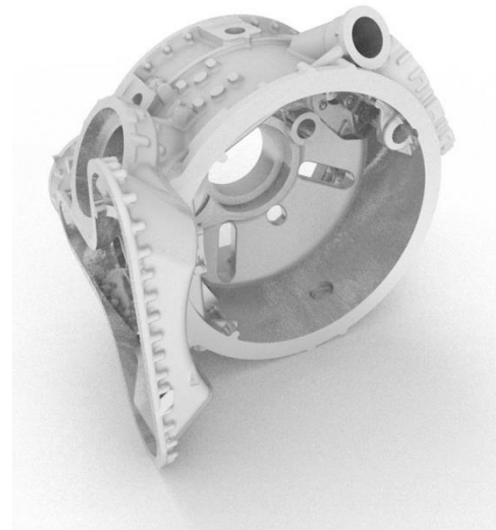
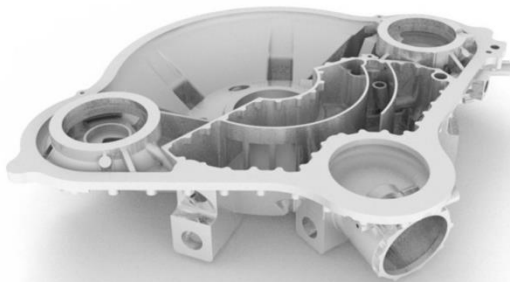
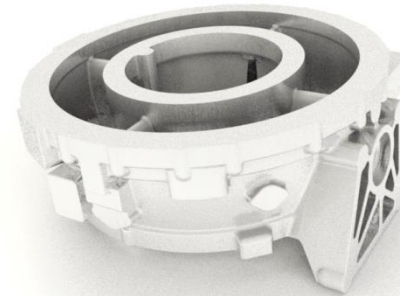
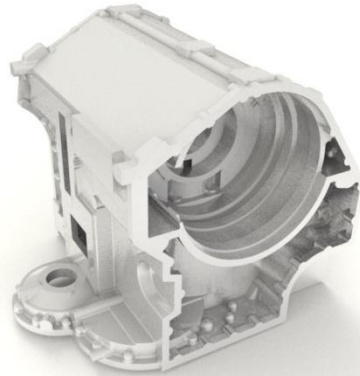


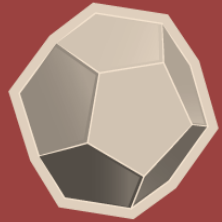
TECHNOLOGICAL COMPLEX OF ALLOY PREPARATION AND DOSED GRAVITY CASTING





EXAMPLES OF COMPLETED ORDERS





**EQUIPMENT OF
NONDESTRUCTIVE CONTROL**

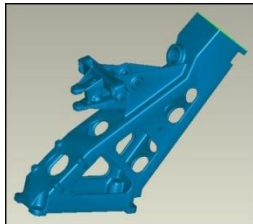
- OPTICAL SCANNING
- COMPUTER TOMOGRAPHY



COMPLEX «GEOMETRY CONTROL»

TECHNOLOGICAL COMPLEX OF GEOMETRY CONTROL WITH APPLICATION OF CONTACTLESS OPTICAL SYSTEM

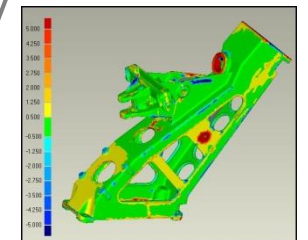
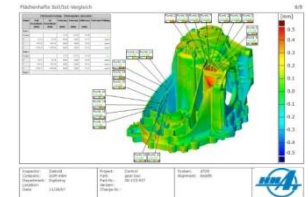
INPUT DATA



OPTICAL 3D MEASURING MACHINE



REPORT

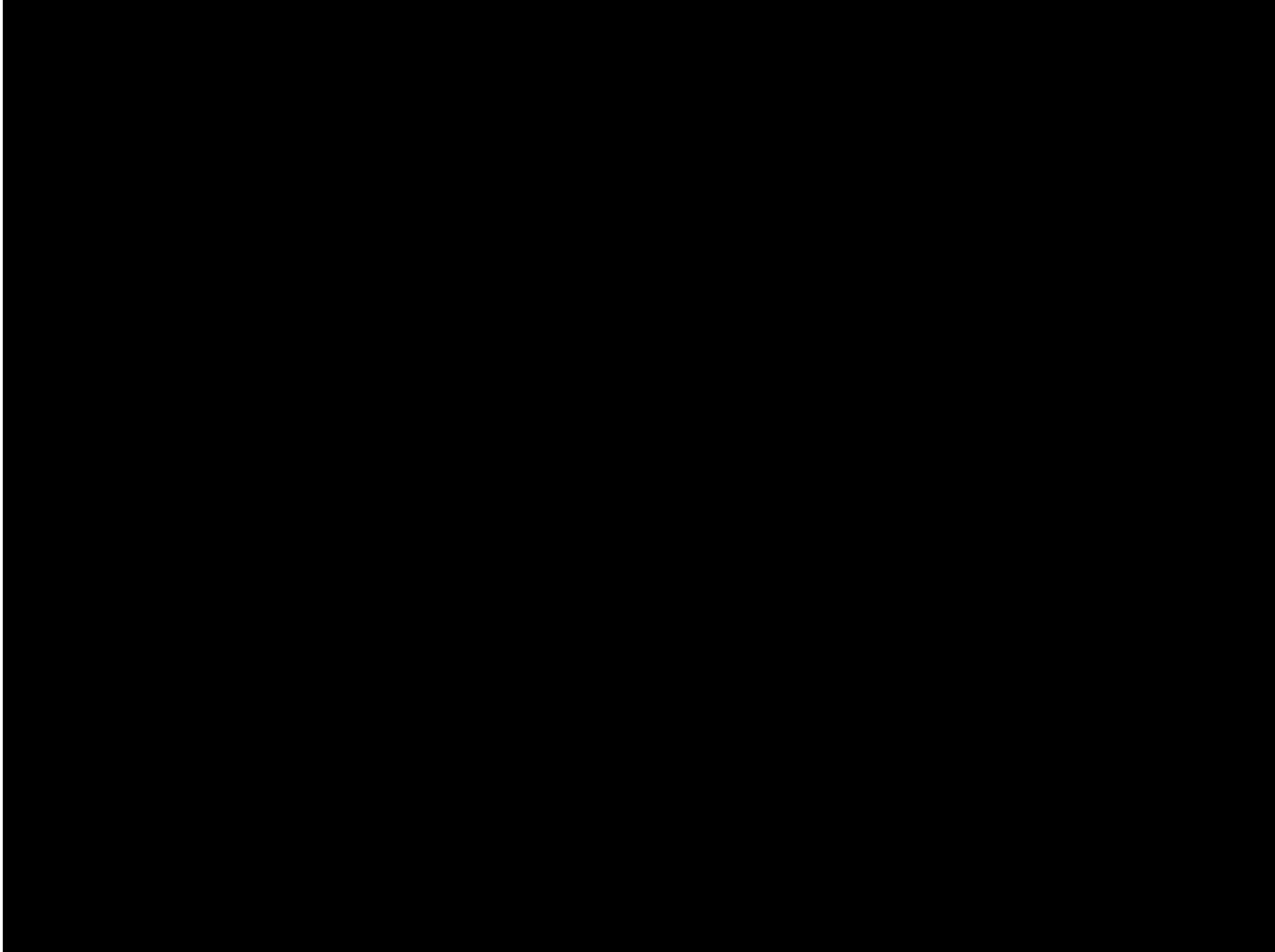




RESEARCH
INDUSTRIAL
COMPLEX
DIGITAL CASTING PRODUCTION

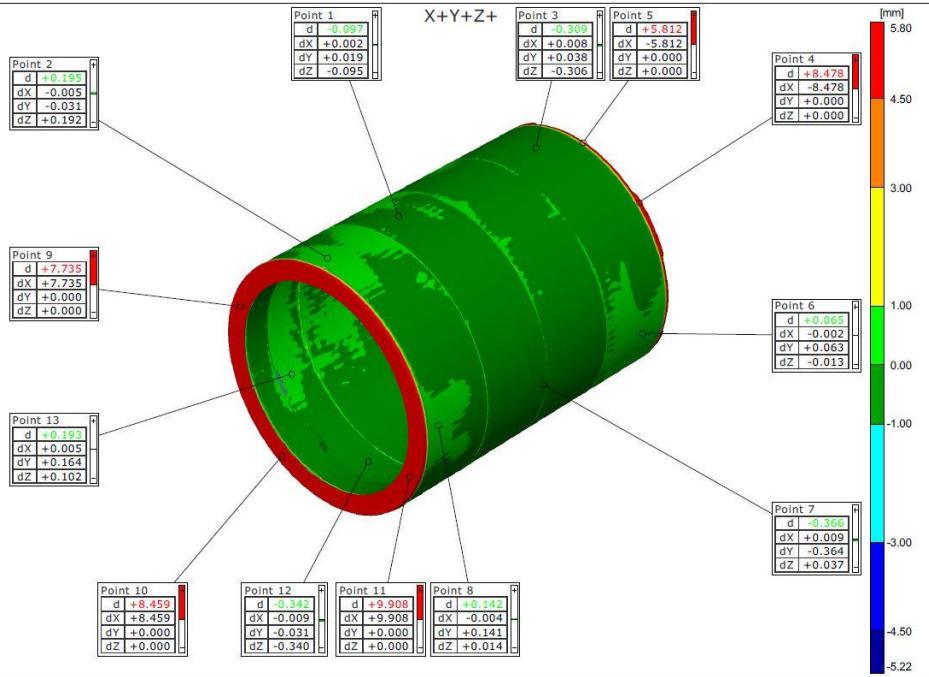


DIGITAL
ADDITIVE
MANUFACTURING

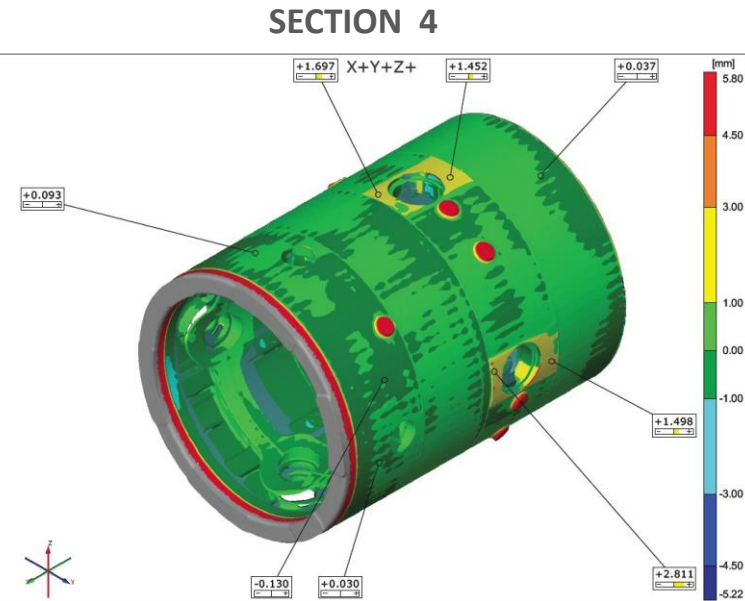




CONTACTLESS OPTICAL DIGITIZATION AND INSPECTION OF GEOMETRY



SECTION 25





COMPLEX «COMPUTER TOMOGRAPHY»

TECHNOLOGICAL COMPLEX OF NONDESTRUCTIVE CONTROL OF INTERNAL DEFECTS

PART



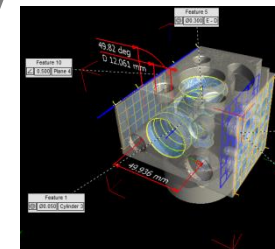
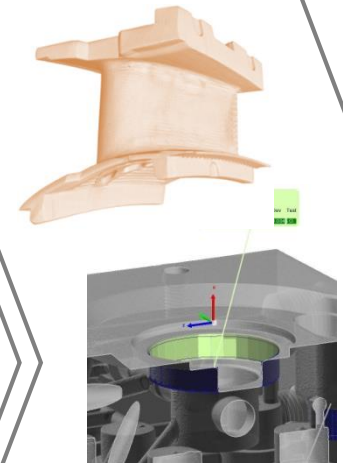
CONTROLLED
OBJECTS

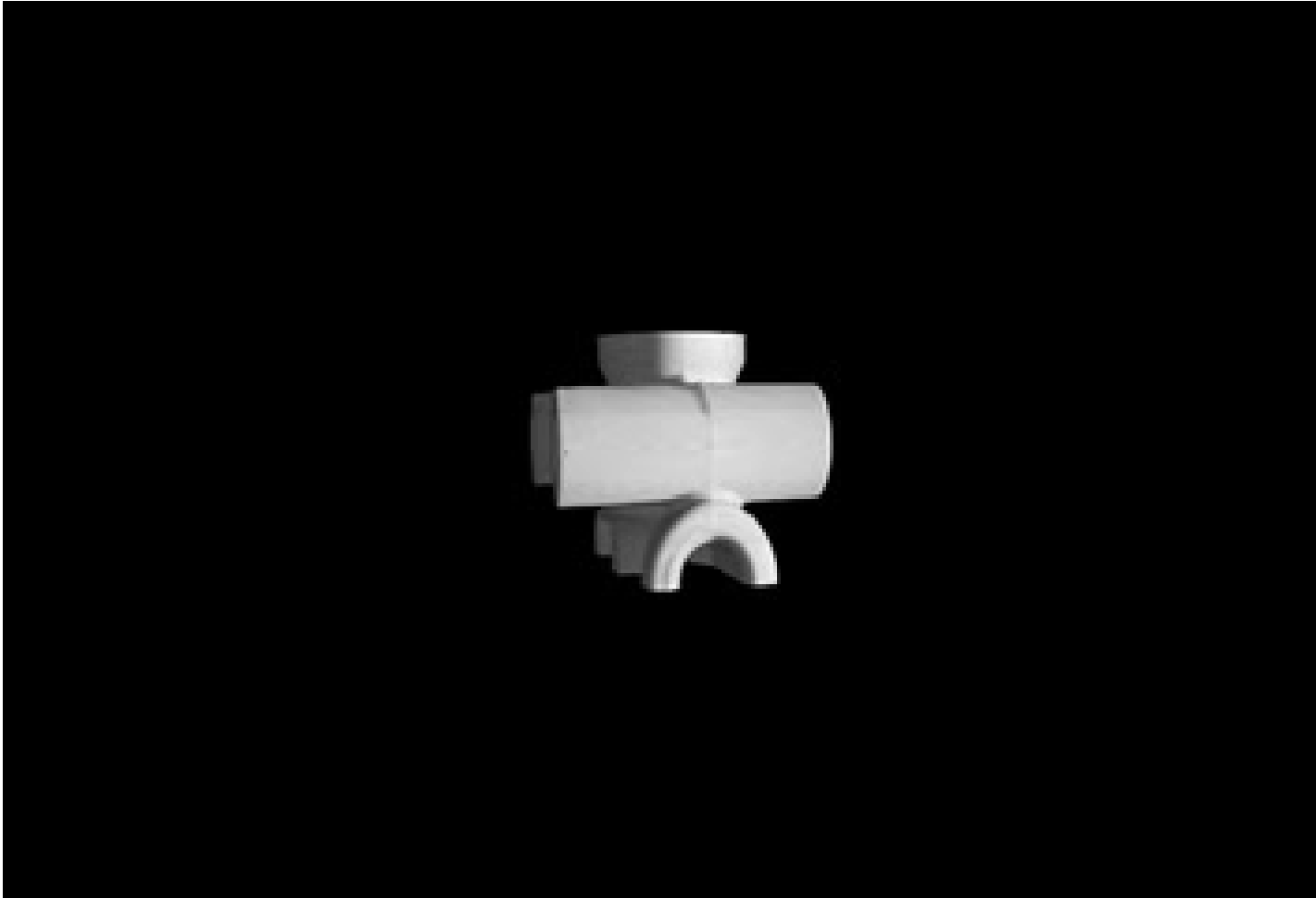


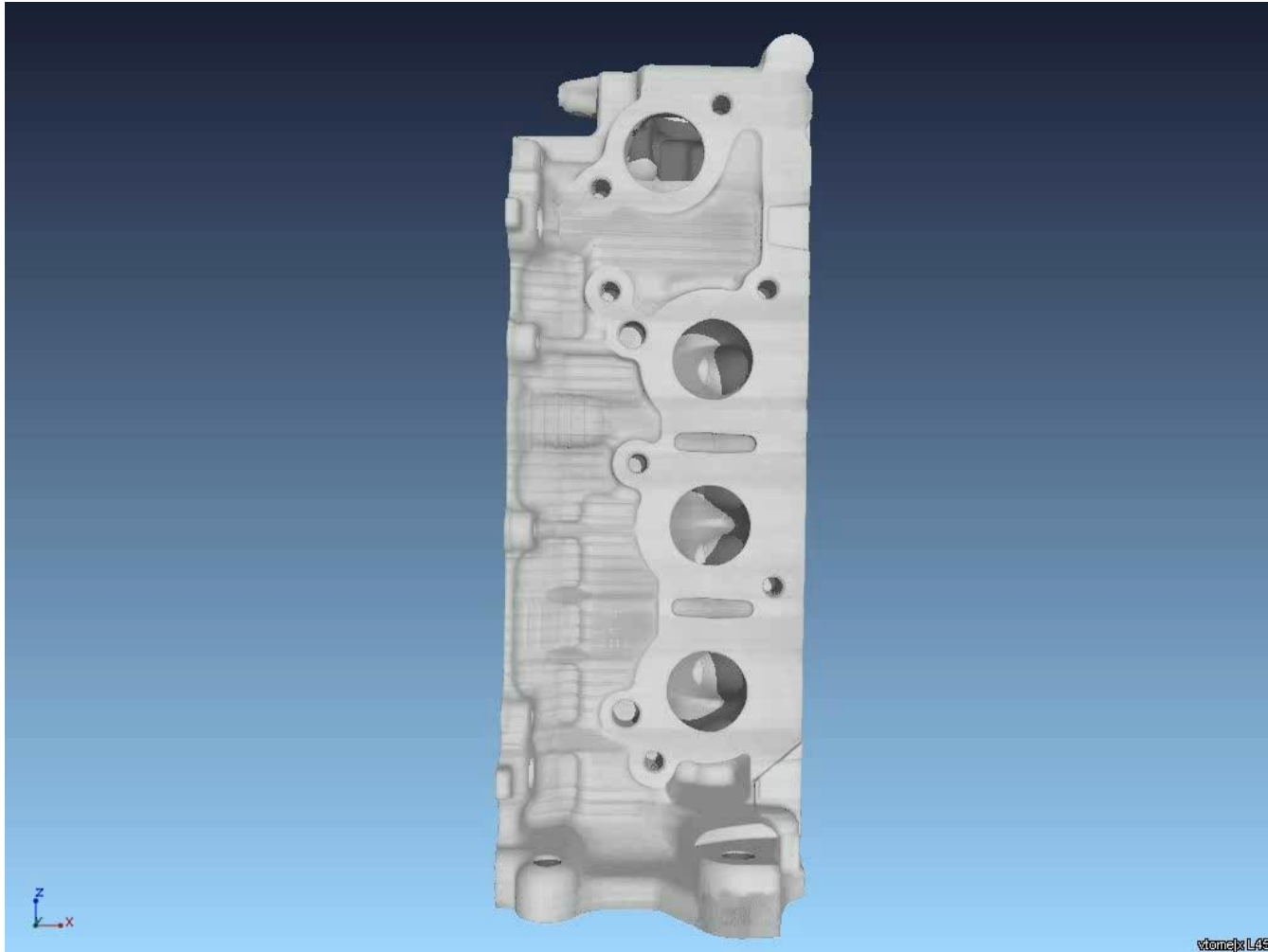
EQUIPMENT FOR COMPUTER TOMOGRAPHY



REPORT









RESEARCH
INDUSTRIAL
COMPLEX
DIGITAL CASTING PRODUCTION



DIGITAL
ADDITIVE
MANUFACTURING



INDUSTRIAL ADDITIVE TECHNOLOGY

- DEVELOPMENT
- IMPLEMENTATION
- MANUFACTURING



TODAY



TOMORROW





RESEARCH
INDUSTRIAL
COMPLEX
DIGITAL CASTING PRODUCTION



DIGITAL
ADDITIVE
MANUFACTURING

OFFICE OF THE INTERNATIONAL ENGINEERING CENTER



2016



REGIONS OF BRANCHES LOCATION OF INTERNATIONAL ENGINEERING CENTER (ADM)





PROJECT OF DIGITAL CASTING PLANT TO CAST MG AND AL PARTS «GREENFIELD»

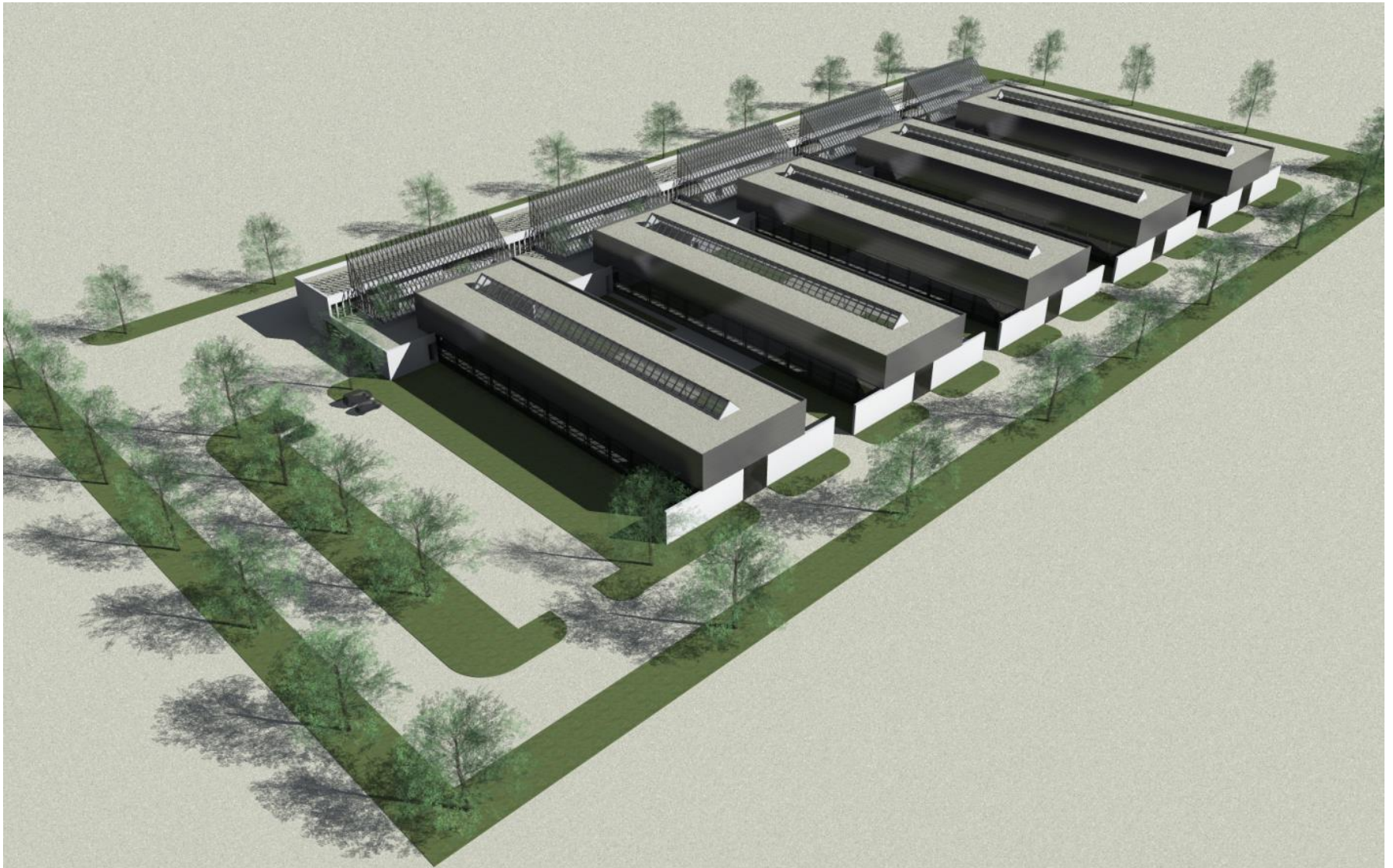




RESEARCH
INDUSTRIAL
COMPLEX
DIGITAL CASTING PRODUCTION



DIGITAL
ADDITIVE
MANUFACTURING



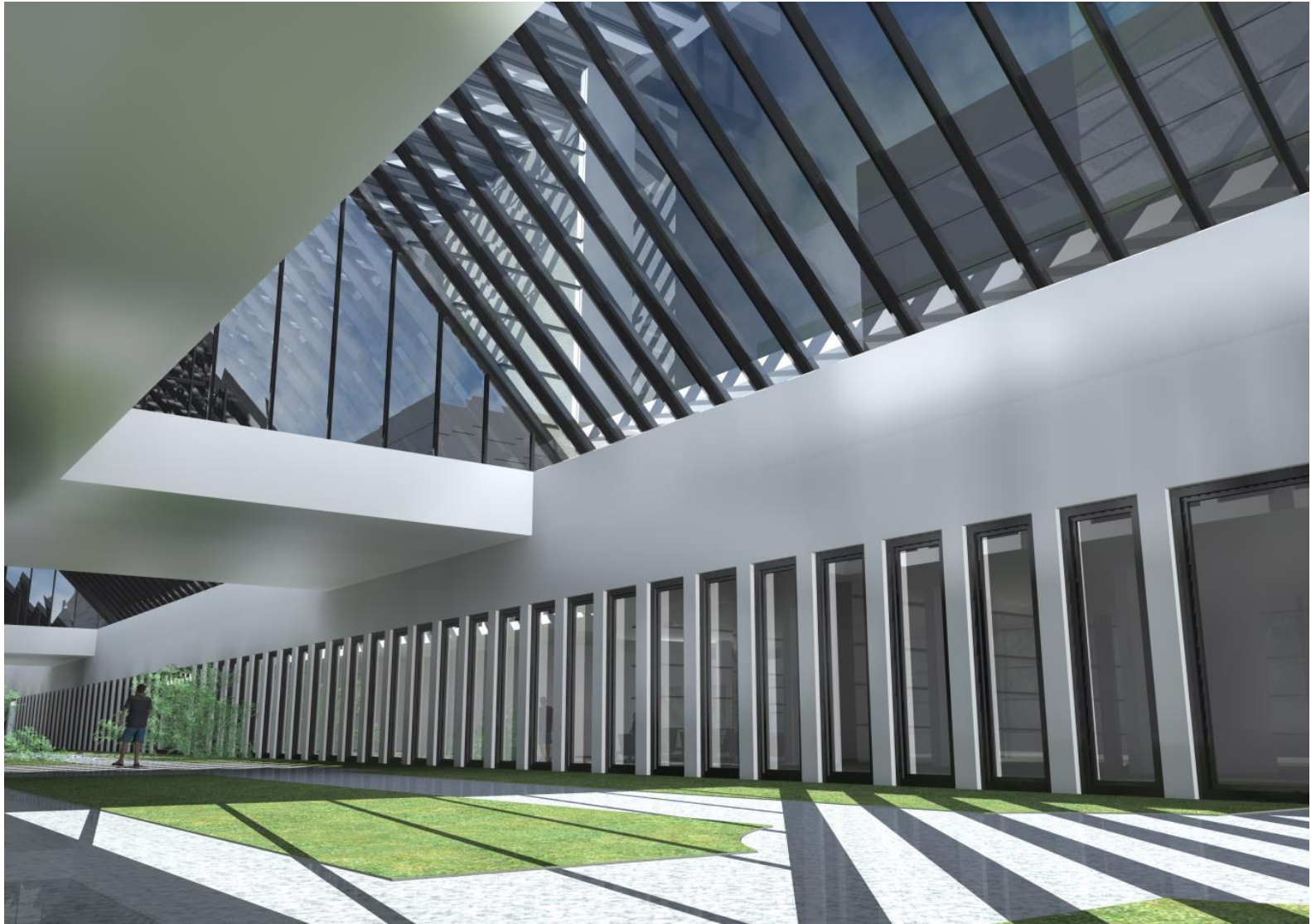
2016



RESEARCH
INDUSTRIAL
COMPLEX
DIGITAL CASTING PRODUCTION



DIGITAL
ADDITIVE
MANUFACTURING



2016



RESEARCH
INDUSTRIAL
COMPLEX
DIGITAL CASTING PRODUCTION



DIGITAL
ADDITIVE
MANUFACTURING



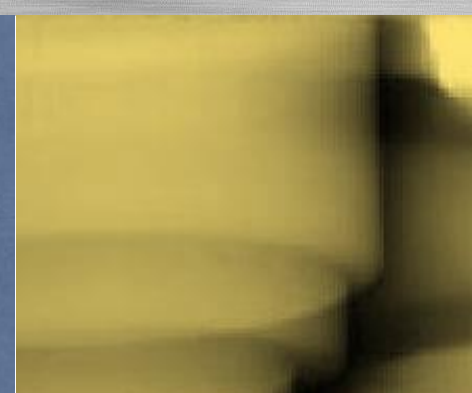
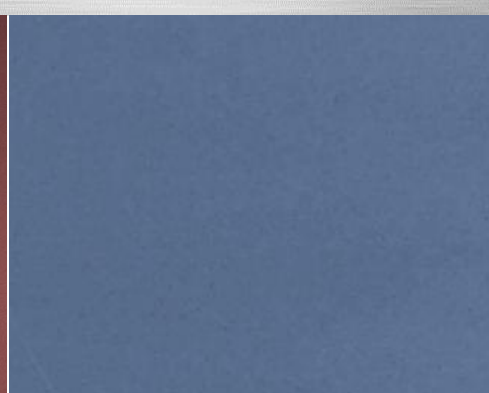
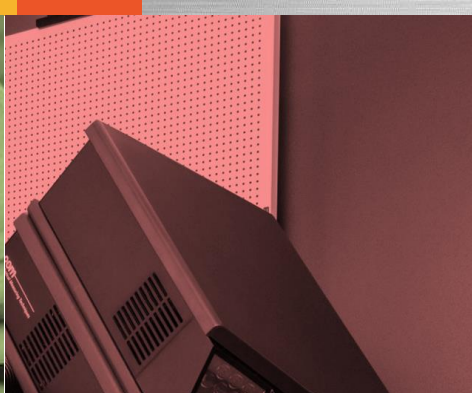
2016



RESEARCH
INDUSTRIAL
COMPLEX
DIGITAL CASTING PRODUCTION



DIGITAL
ADDITIVE
MANUFACTURING



THANK YOU.

